

# 2050 PSI

## Electric Pressure Washer



BLUE  
CLEAN®

## ASSEMBLY, CARE AND USE INSTRUCTIONS

### Model AR 2N1-Q

READ CAREFULLY

**IMPORTANT:** RETAIN THESE INSTRUCTIONS  
AND ATTACH RECEIPT TO MANUAL FOR FUTURE  
REFERENCE.



---

#### Questions, problems, missing parts?

Before returning to your retailer, call (1-866-235-5112) or email ([info@arnorthamerica.com](mailto:info@arnorthamerica.com)) our customer service department. They are available from 8:00 a.m. - 5:00 p.m., CST, Monday - Friday. [www.arblueclean.com](http://www.arblueclean.com)

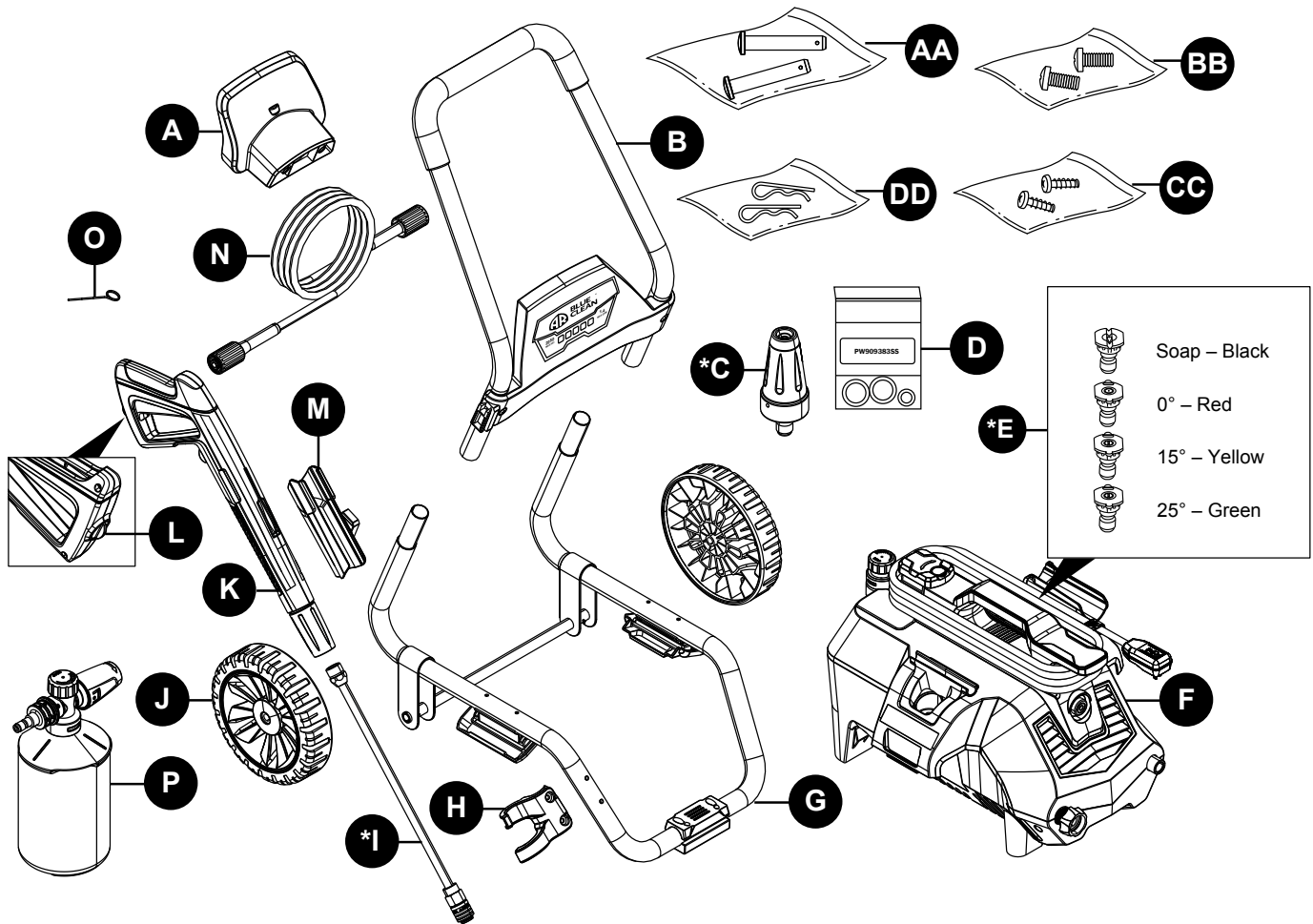
## TABLE OF CONTENTS

Product Specifications .....	2
Package Contents .....	3
Hardware Contents .....	3
Safety Information.....	4
Assembly Instructions.....	6
Operating Instructions .....	11
Care and Maintenance .....	14
Pump Saver .....	15
Troubleshooting.....	16
Limited Warranty .....	17
Replacement Parts List .....	18

## PRODUCT SPECIFICATIONS

SPECIFICATIONS							
Model	Max PSI (lbs/sq. in.)	Max GPM (Gal/per min)	Cold Water	Volts	Frequerry (Hz)	Amps	Weight (lbs.)
AR 2N1-Q	2050	1.4	✓	120	60	13	36.8

## PACKAGE CONTENTS

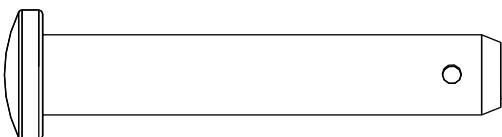


PART	DESCRIPTION	QUANTITY
A	Hose Holder	1
B	Handle	1
*C	Rotary Nozzle	1
D	O-Ring Replacement Kit	1
*E	Quick Connect Nozzles	4
F	Power Washer Unit	1
G	Lower Frame	1
H	Nozzle Holder	1
*I	Extension Lance	1
J	Wheels	2

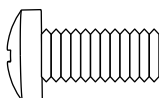
PART	DESCRIPTION	QUANTITY
K	Spray Gun	1
L	Spray Gun Trigger Lock	1
M	Spray Gun Holster	1
N	High Pressure Hose	1
O	Nozzle Cleaning Wire	1
P	Foam Cannon	1
AA	Axle Pins	2
BB	Screws	2
CC	Screws	2
DD	Cotter Pins	2

\*Packaged on the power washer unit.

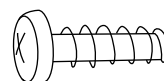
## HARDWARE CONTENTS



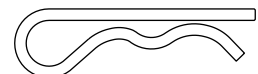
**AA** Axle Pins  
Qty. 2



**BB** Screws  
Qty. 2



**CC** Screws  
Qty. 2



**DD** Cotter Pins  
Qty. 2

## SAFETY INFORMATION

Please read and understand this entire manual before attempting to assemble and operate the product.

This manual contains information that relates to PROTECTING PERSONAL SAFETY and PREVENTING EQUIPMENT PROBLEMS. It is very important to read this manual carefully and understand it thoroughly before using the product. The symbols listed below are used to indicate this information.



### DANGER

Potential hazard that **will result in serious injury or loss of life.**



### WARNING

Hazard that **could result in serious injury or loss of life.**



### CAUTION

Potential hazard that **may result in moderate injury or damage to equipment.**

**Note:** The word “Note” is used to inform the reader of something the operator needs to know about the tool.



### WARNING

To reduce the risk of injury, the user must read and understand the instructions before using this product.

1. Warning – When using this product, basic precautions should always be followed, including the following.
2. Read all the instructions before using the product.
3. Know how to stop the product and bleed pressures quickly. Be thoroughly familiar with the controls.
4. Keep operating area clear of persons.
5. Do not overreach or stand on unstable support. Keep good footing and balance at all times.
6. Follow the maintenance instructions as specified in the manual.
7. To avoid personal injury and/or damage to property and to maximize your power washer experience, carefully follow all of the safety tips, instructions, warnings and safeguards and become familiar with all of the controls. Be sure you know how to quickly bleed off the pressure from all parts of your power washer and how to turn off the power washer.
8. This power washer conforms to CSA and other safety and consumer standards. **DO NOT** modify or rebuild any part of your power washer.
9. **DO NOT** use your power washer when you are under the influence of alcohol or drugs. Use this power tool carefully and only when you are alert.
10. Watch your balance and footing while using your power washer. Surfaces become slippery when wet and are extra slippery when using a detergent or cleaner.
11. **NEVER** operate the power washer in bare feet, sandals, or open-toed shoes.
12. When using the power washer near children, make sure they are closely supervised by an adult to avoid injury. **NEVER** let a child use the power washer.
13. Keep fingers, hands, feet and any part of your body clear of the stream of high pressure water. The powerful spray can cause blindness or blast holes in the skin. It can break a window if you are too close when you pull the trigger on the spray gun.
14. **ALWAYS** wear eye protection to prevent injury to eyes when operating the power washer.
15. To avoid mishaps or injury, **ALWAYS** use the trigger safety lock when not using the power washer even if only stopping briefly.
16. The power washer is equipped with a Ground Fault Circuit Interrupter (GFCI) which greatly reduces the chance of electric shock while the unit is in use. If replacement of the plug or cord is needed, use only identical replacement parts.
17. Point the spray gun in a safe direction when beginning a power washer session.
18. Warning- **NEVER** spray directly at a person, animal, electrical device or the unit itself.
19. When first using the spray gun, hold the spray gun and lance with two hands when pulling the trigger (one hand to pull the trigger and the other to stabilize the gun assembly) until you get used to the “kickback” from the spray gun.
20. When you turn the power switch off, water pressure may remain in the system. To discharge the pressure, point the spray gun in a safe direction and pull the trigger.
21. **NEVER** spray flammable liquids.
22. **NEVER** use the power washer in areas that contain combustible dust, liquids or vapors.
23. Avoid contact of the pressure hose with sharp objects and examine the hose regularly. Replace if damaged. Due to the high pressure involved, it cannot be repaired if cut or damaged.
24. Only use detergent specifically formulated for power washers and follow instructions on the detergent’s label. Dish or laundry soap is too thick and will clog the nozzle of your detergent bottle.

## SAFETY INFORMATION

25. Protect eyes, lungs, and skin from exposure to detergent.
26. Warning-If connection is made to a potable water system, the system should be protected against backflow.



### CAUTION

Store the power washer indoors to prevent the water in the unit from expanding under freezing conditions. When the water freezes and expands, your power washer will be damaged and become inoperable. Or, if storing outdoors, it is recommended you use pump saver (not included) to protect pumps.

27. **NEVER** use hot water with your power washer. It will overheat and damage the high pressure pump.
28. **NEVER** leave the power washer unattended while it is powered “ON”.
29. **ALWAYS** turn the water supply on before turning the power washer power to on. Running the pump dry will cause damage to the internal components.
30. **NEVER** use a water supply to your power washer that exceeds 150 PSI maximum.
31. **NEVER** disconnect the high pressure hose from the power washer while the system is pressurized.
32. **NEVER** permanently engage the trigger mechanism on the spray gun.
33. **NEVER** operate the power washer unless all components are properly and securely connected.
34. **NEVER** allow the power washer pump to run for more than one minute after you have turned off the water supply. This can cause the motor and pump to overheat and fail.
35. **NEVER** use lances or other parts that are not compatible for this specific AR Blue Clean unit.
36. **NEVER** use an extension power cord since it defeats the effectiveness of the GFCI and increases the chance of electrocuting the operator.
37. **NEVER** spray any electrical outlet with your power washer.
38. Inspect the power cord before using. **DO NOT** use it if it is damaged.

## KEEP THESE INSTRUCTIONS FOR FUTURE REFERENCE.

### Servicing of a Double-Insulated Appliance

#### Ground Fault Circuit Interrupter Protection:

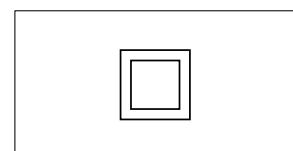
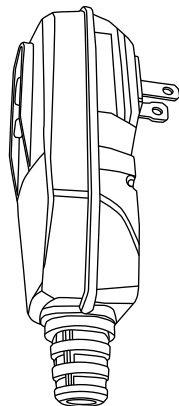
This pressure washer is equipped with a ground-fault circuit-interrupter (GFCI) built into the plugs of the power-supply cord. This device provides additional protection from the risk of electric shock. Should replacement of the plug or cord become necessary, use only identical replacement parts that include GFCI protection.

In a double-insulated product, two systems of insulation are provided instead of grounding. Grounding means are not provided for a double insulated product, nor should grounding means be added to the product.

Servicing a double-insulated product requires extreme care and knowledge of the system, and should only be done by qualified service personnel.

Replacement parts for a double-insulated product must be identical to the original parts.

A double-insulated product is marked with the words “Double Insulation” or “Double Insulated”. Product may also be marked with symbol shown here.



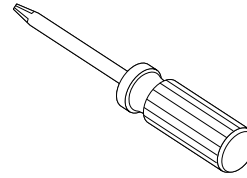
**Double Insolated Product**

## PREPARATION

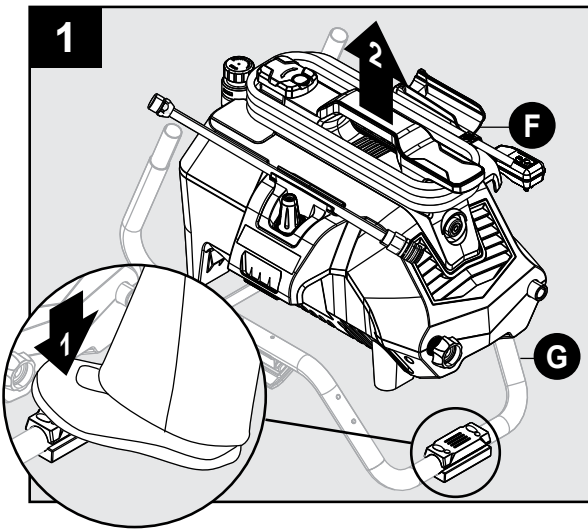
Before beginning assembly of product, make sure all parts are present. Compare parts with package contents list and hardware contents list. If any part is missing or damaged, **DO NOT** attempt to assemble the product. Please call customer service at 1-866-235-5112. Replacement parts will be sent no charge.

Estimated Assembly Time: 5 minutes.

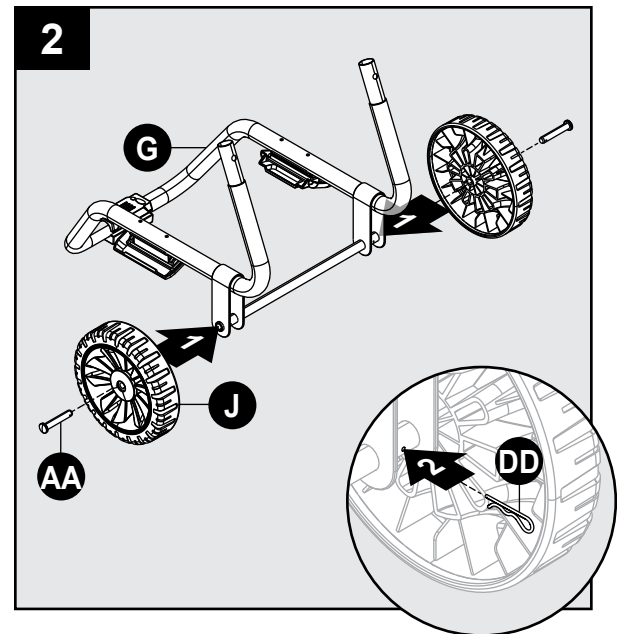
Tools Required for Assembly (not included): Phillips screwdriver.



## ASSEMBLY INSTRUCTIONS



Place a foot on the pad at the front of the lower frame (G) and then lift the power washer unit (F) off the frame. Set pressure washer (F) to the side.



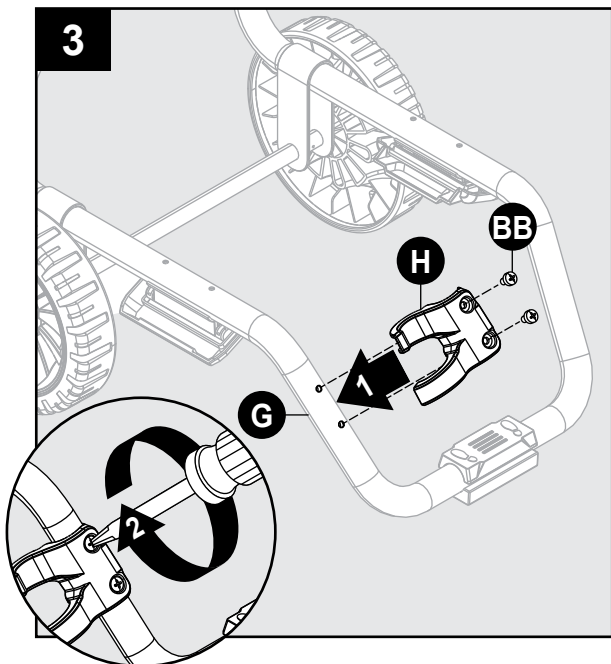
### Frame Assembly

Install axle pins (AA) and wheels (J) to lower frame (G). Secure with cotter pins (DD).

### Hardware Used:

- |    |             |  |     |
|----|-------------|--|-----|
| AA | Axle Pins   |  | x 2 |
| DD | Cotter Pins |  | x 2 |

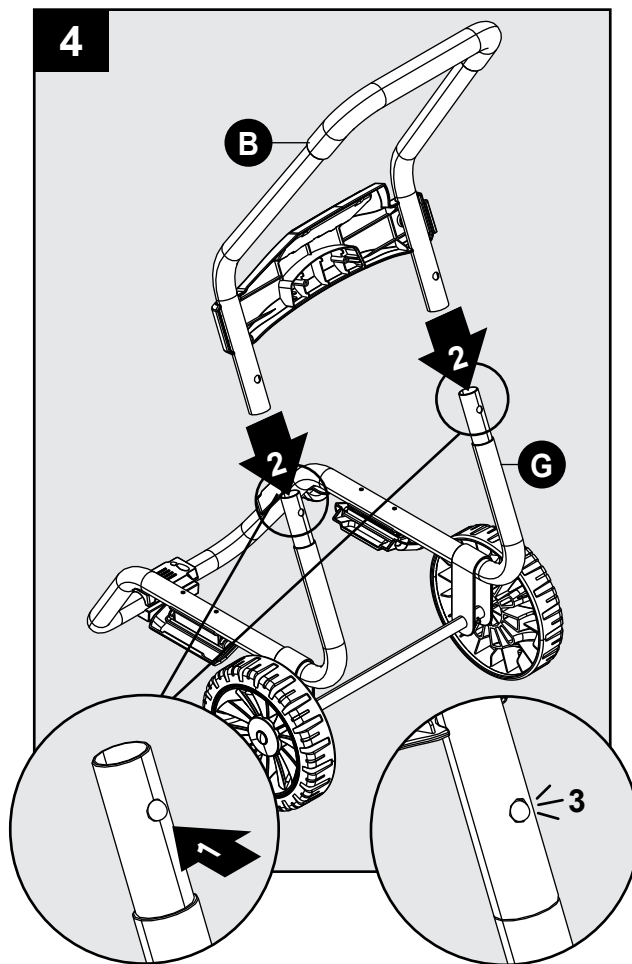
# ASSEMBLY INSTRUCTIONS



Install nozzle holder (H) to lower frame (G). Secure with two screws (BB).

## Hardware Used:

**BB** Screws  x 2

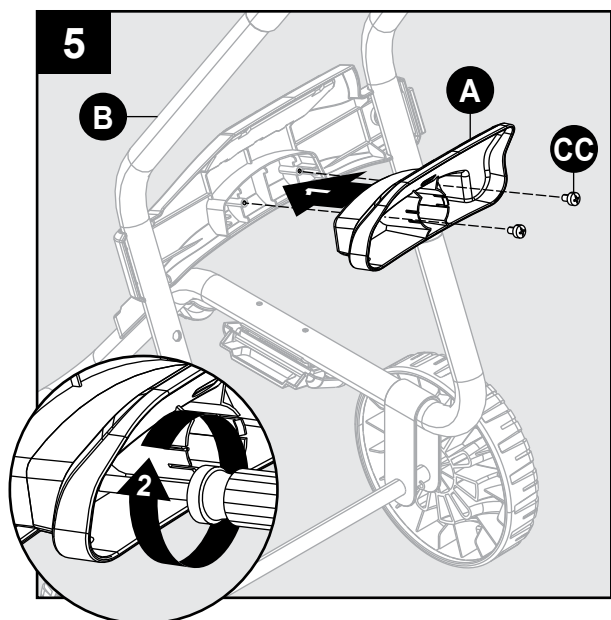


Press buttons on lower frame (G) extensions and install handle (B). Lower frame extensions will click when handle is in proper position.

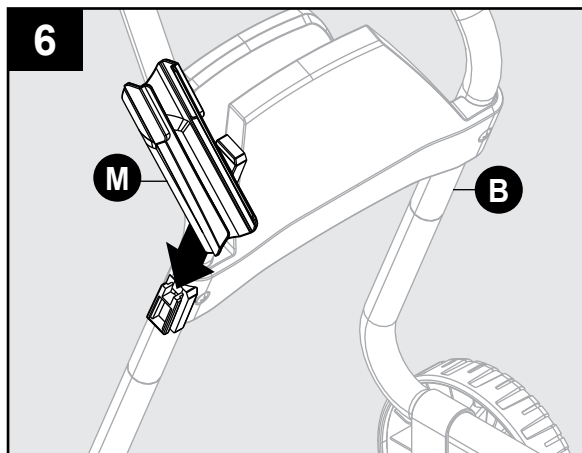
Install hose holder (A) onto back side of upper handle (B). Secure with two screws (CC).

## Hardware Used:

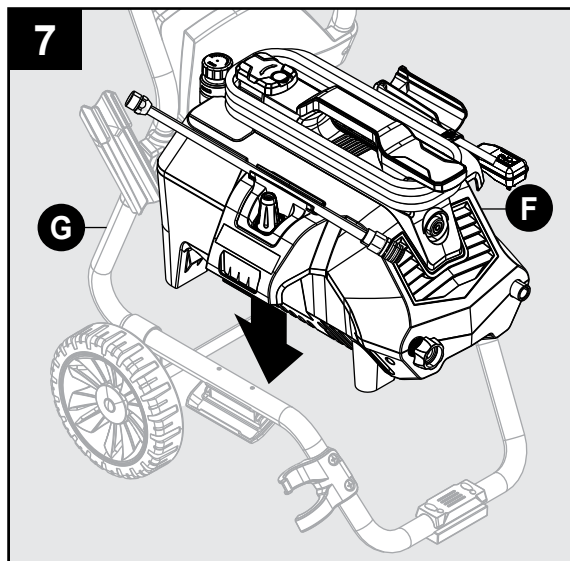
**CC** Screws  x 2



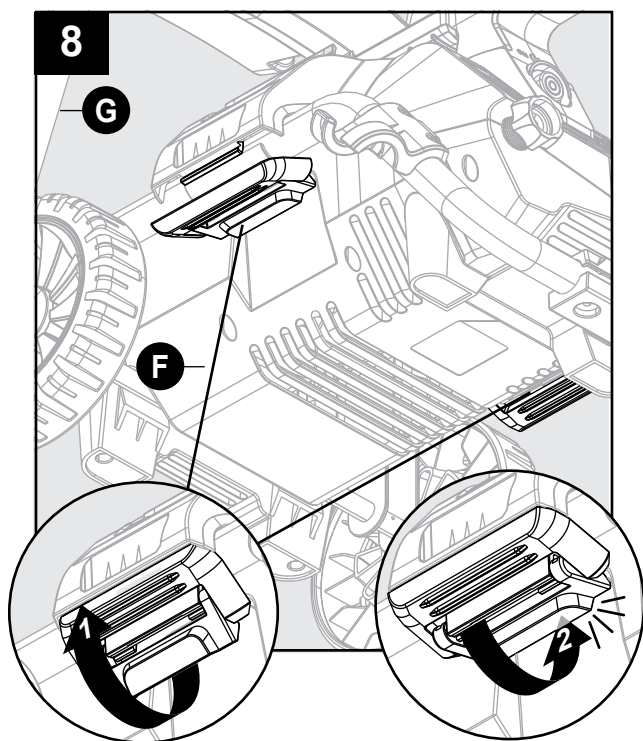
## ASSEMBLY INSTRUCTIONS



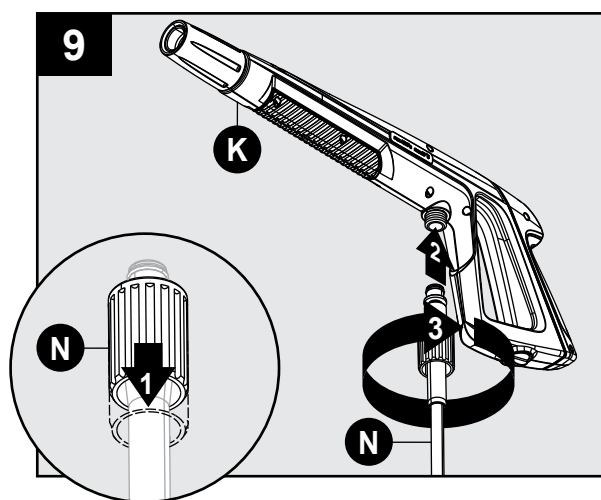
Slide spray gun holster (M) into place on the upper handle (B).



Place power washer unit (F) into position on the lower frame (G).



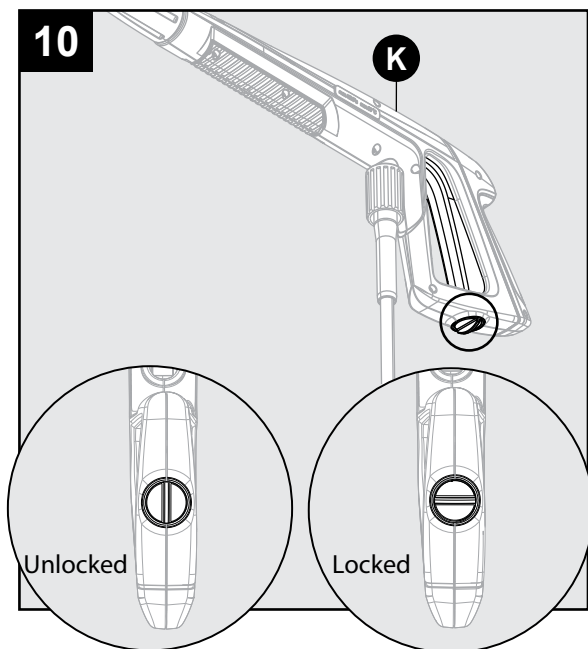
Pull upward on latches that are located on sides of lower frame (G). Once upper latch is flush with the lower lip, push down until lower latch clicks into place.



Pull back on collar at one end of the high pressure hose (N). Push the center post on hose firmly into the spray gun (K), then twist the collar on to secure the connection. Confirm the hose is locked into spray gun by trying to lightly pull it away from the gun.

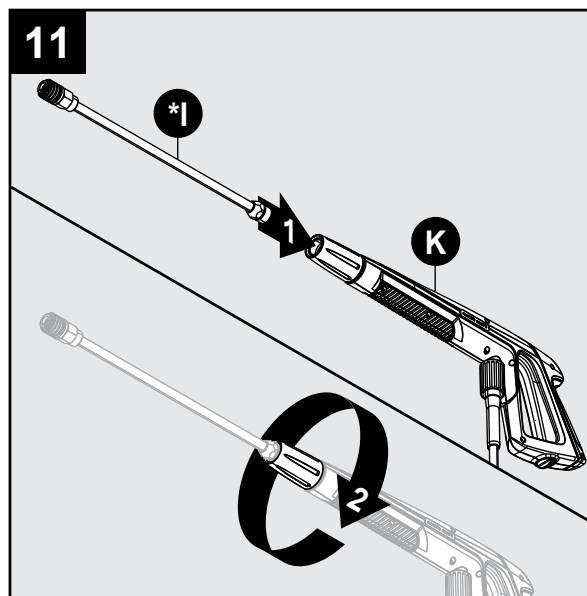


## ASSEMBLY INSTRUCTIONS



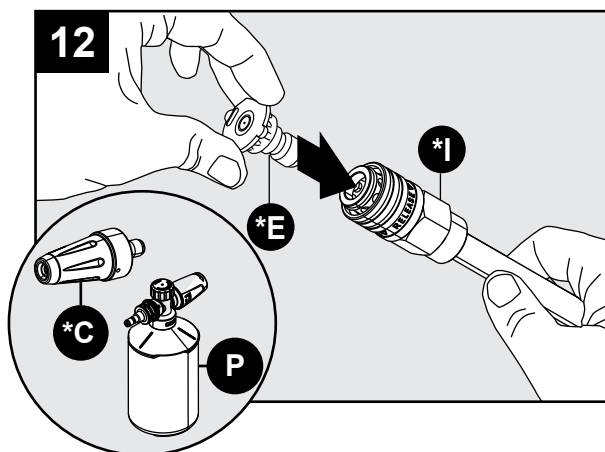
**Locking Spray Gun (before Lance installation)** To lock trigger of spray gun (K), point gun away from you and turn dial to lock (“3” and “9” position). Squeeze or pull trigger to make sure it is locked. Always leave in locked position when not in use. This ensures the gun is in “safe” mode until it is ready for use. Turn dial to unlock (“12” and “6” position) to release spray gun trigger.

**Note:** The trigger lock prevents trigger from being accidentally engaged.

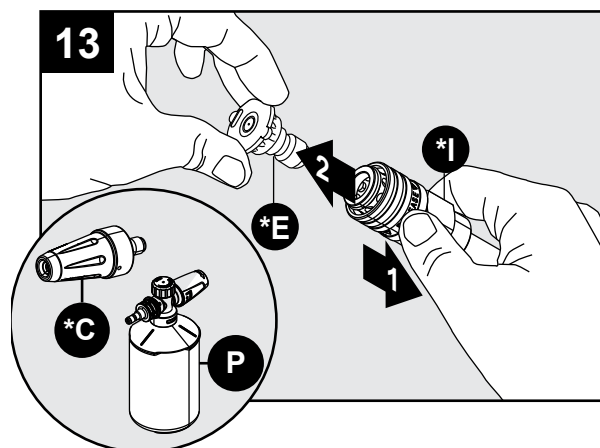


### Extension Lance installation

While spray gun (K) is in the locked position, insert lance (\*I) into the end of the spray gun and turn clockwise until fully in place. To remove, turn counterclockwise.



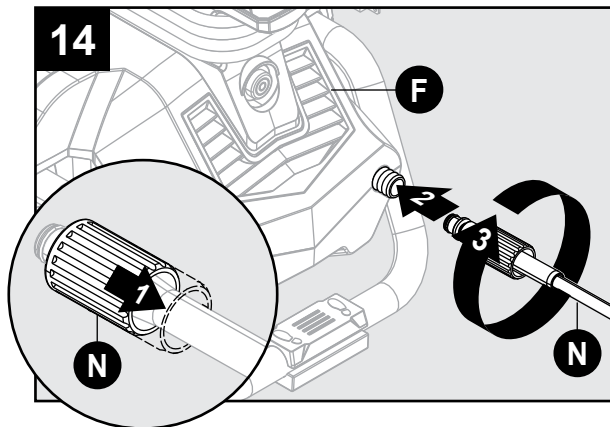
Attach nozzle (\*E), foam cannon (P) or rotary nozzle (\*C) into end of lance (\*I) by pressing selected nozzle, foam cannon or rotary nozzle into place. It will make a “click” sound when firmly in place.



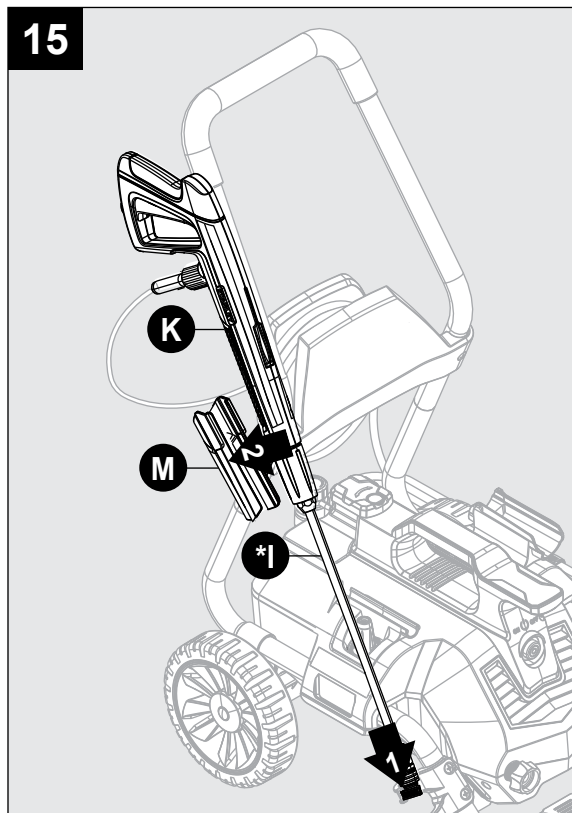
To remove nozzle (\*E), foam cannon (P) or rotary nozzle (\*C), pull back on collar of lance (\*I) and pull out nozzle, foam cannon or rotary nozzle.

**Note:** Always push safety lock button to lock trigger when changing lances and nozzles to ensure that they do not accidentally eject with force during removal.

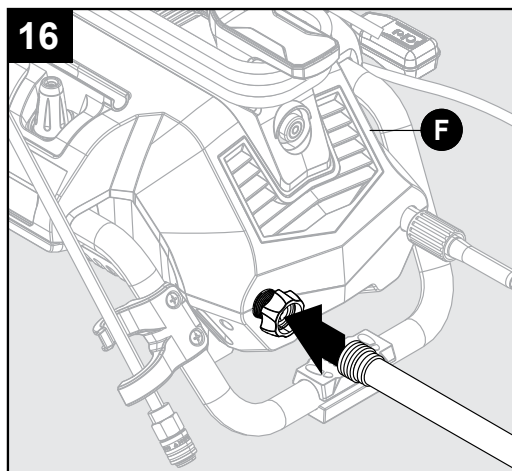
## ASSEMBLY INSTRUCTIONS



Pull back on the collar at the other end of the high pressure hose (N). Push the exposed center post of the hose firmly into the power washer's water outlet on the right side of the machine, then twist the collar to secure it. Confirm the hose is secure by trying to lightly pull it away from the machine.

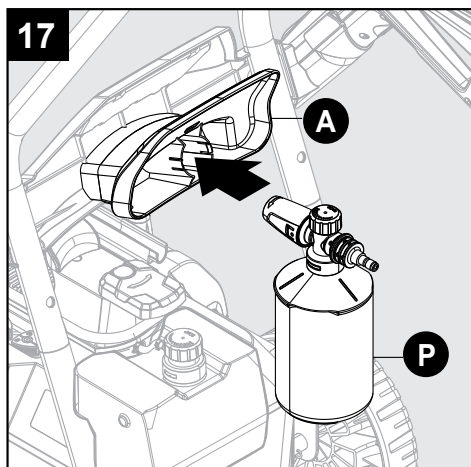


Insert extension lance (\*I) into nozzle holder (H), and press spray gun (K) with extension lance (\*I) into spray gun holster (M).



Attach a garden hose to built in garden hose adapter. The water is now connected to your power washer.

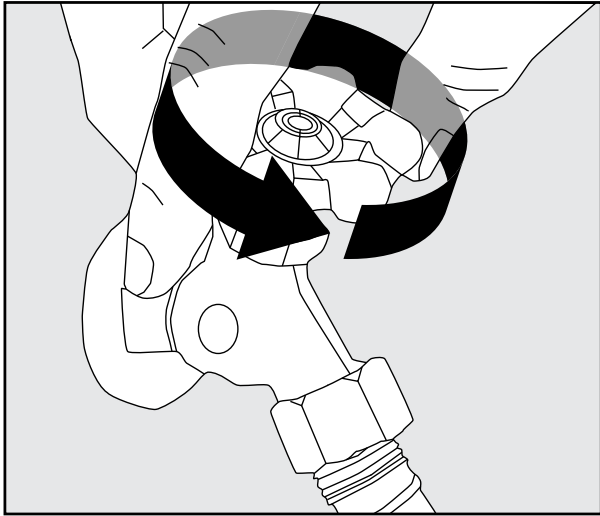
**Note:** Flush out garden hose before connecting to garden hose adapter.



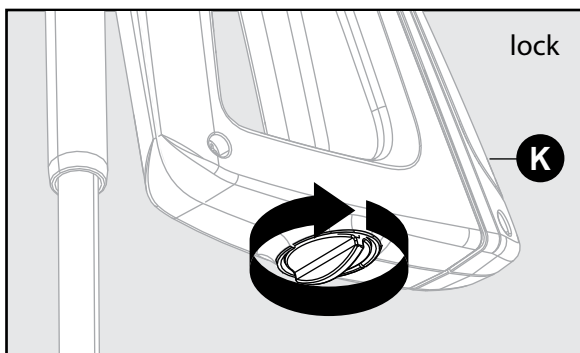
Insert foam cannon (P) into hose holder (A) by pressing into the slot in the back nozzle.

You have now completed the assembly and are ready to begin using your electric power washer. Read and observe all safety instructions.

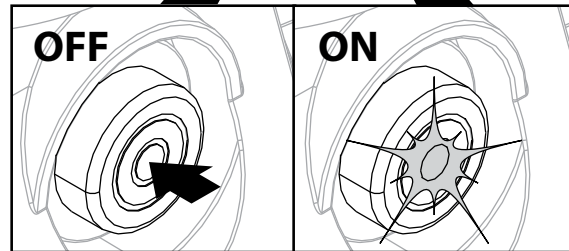
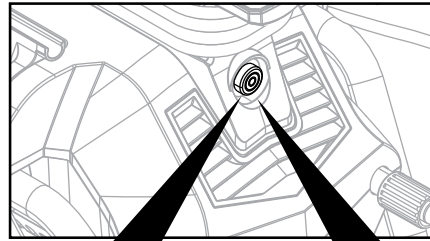
## OPERATING INSTRUCTIONS



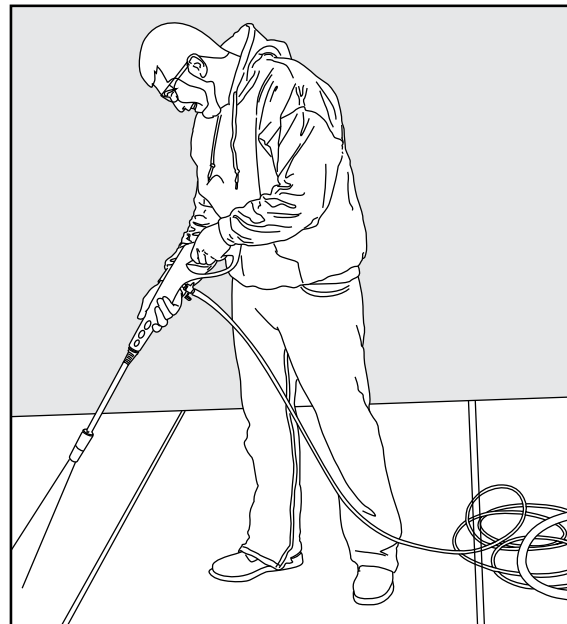
- Make sure the power switch is off.
- Unwind the power cord completely and plug into a grounded 120 volt outlet.
- Turn on water supply at the faucet to completely open.
- Turn the safety lock button on the spray gun to unlocked. While pointing the spray gun in a safe direction, squeeze the trigger on the spray gun until there is a steady stream of water, letting the water and air out of the hose.



- Push the power button to turn the unit on (green power light will turn on). The unit will turn on for 1 - 2 seconds and shut off. This is a normal function of the auto start feature.
- Begin power washing by squeezing the trigger on the spray gun all the way into the handle.
- Release the spray gun trigger to stop the power washer.
- Allow the motor to come to a complete stop before squeezing the trigger again.

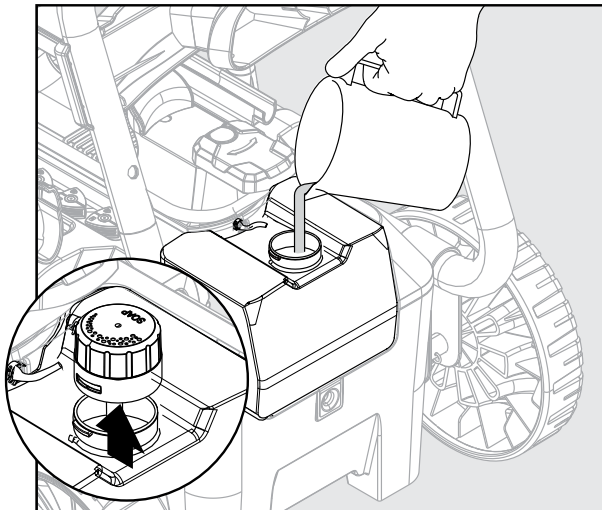


- Squeezing and releasing the trigger rapidly will cause the auto start feature to miss an on/off cycle that may prevent it from turning on properly. Use slow, deliberate trigger pulls to avoid this.

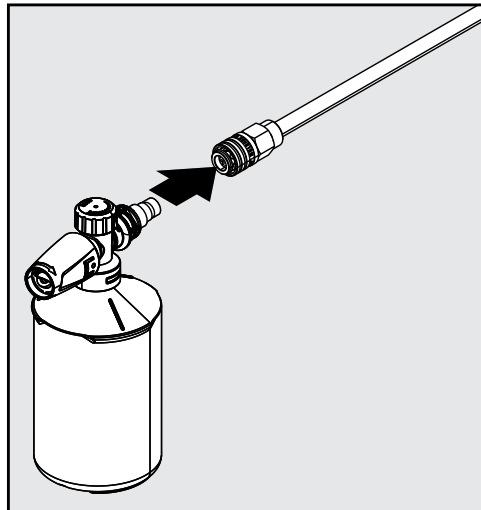


- **Always** test a small area to avoid chance of damaging the surface.

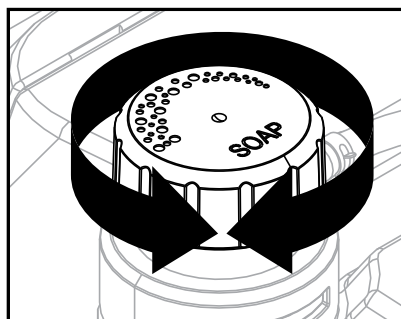
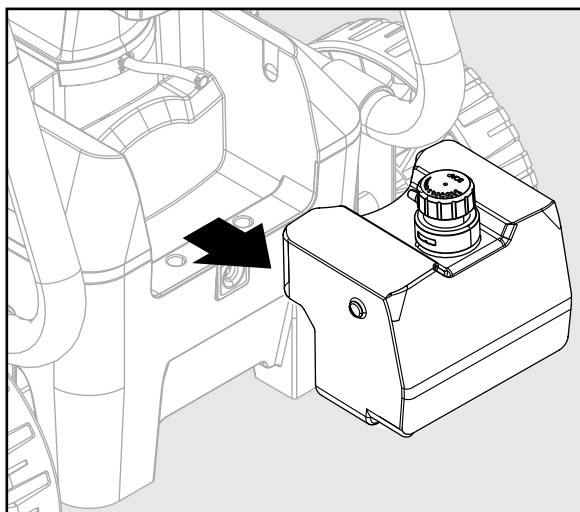
## OPERATING INSTRUCTIONS



- When using detergent (not included), fill the detergent tank with a properly formulated detergent or cleaner with water ratio according to instructions on the container. Close detergent tank when done filling.



- When using the foam cannon, fill it with a properly formulated detergent or cleaner with water ratio according to instructions on the container.

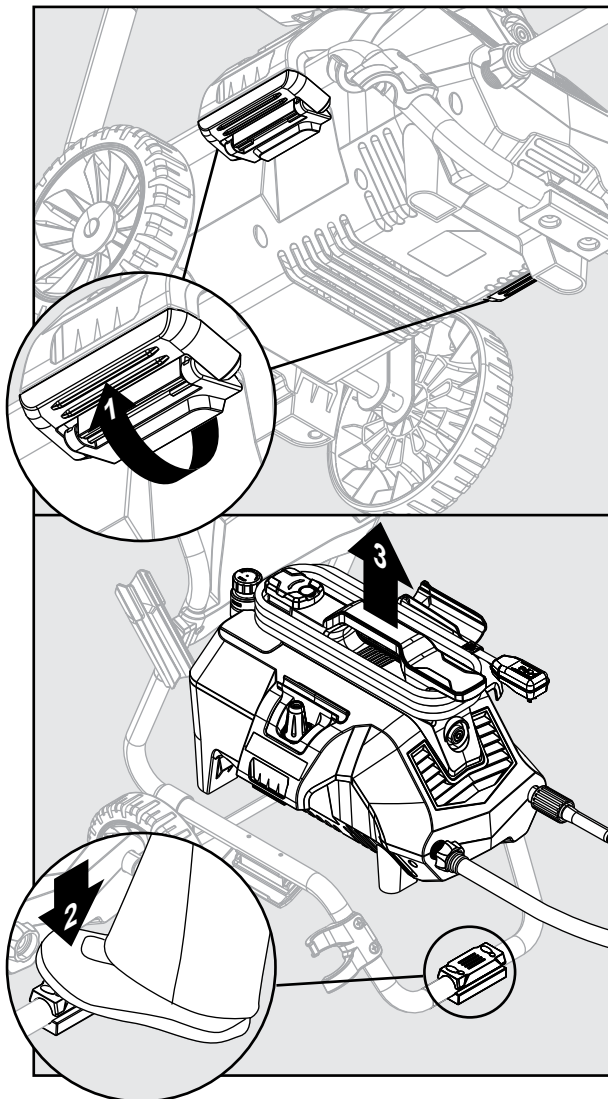


- When removing the detergent tank, squeeze the clamp and remove the small hose from detergent tank. Pull the detergent tank straight out. To replace tank, push straight in and then reattach hose with clamp.
- When using detergent tank, use soap nozzle to draw detergent from tank. Do NOT use with Foam Cannon.

- The power washer will pull a ratio of water to detergent of 10:1 or 10 parts water to 1 part detergent. The detergent concentration can be adjusted by turning the detergent knob on the top of the machine. Turn it left for more concentration or turn it right for less concentration.

- **DO NOT** use thick gel-like detergents as they will clog the soap nozzle or the foam cannon and can cause damage.

## OPERATING INSTRUCTIONS



### Removing Power Washer Unit from Frame for Handheld Operation

- Locate latches on the lower side of frame. Unlock latches by pulling downward on the latches. Place a foot on the pad at the front of the lower frame and then lift the power washer unit off the frame.

### Operation Tips

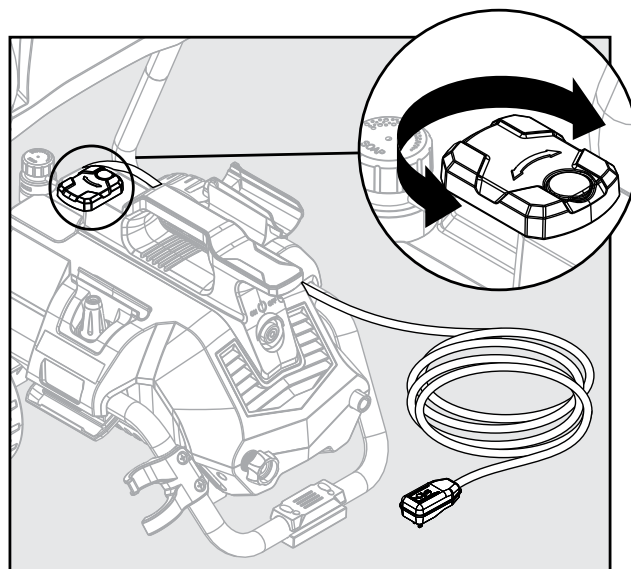
- If you hear the motor run intermittently when the trigger is not being squeezed, that is normal. The pump is priming itself so it is ready to operate when the trigger is squeezed. Turn off the power washer if not being used after five minutes.
- Keep the nozzle cleaning wire for use in unclogging the nozzle. If you lose the cleaning wire, a straightened paper clip also works.

### How to Avoid Damaging Surfaces

- Damage to surfaces being cleaned occurs because the impact force of the water pressure exceeds the durability of the surface. Bare wood can be penetrated, paint can be peeled off, etc. You can vary the force of your power washer by controlling:
  1. The angle of the surface being cleaned.
  2. The distance of the nozzle from the surface being cleaned.
- Never use a narrow high pressure stream of water on soft surfaces susceptible to damage.
- Use the 25° angle quick connect nozzle when cleaning windows. Be sure to place the nozzle approximately 4 to 5 ft. away from the window with the nozzle at 45° angle. Squeeze the trigger and vary the spray pattern and angle until optimum cleaning efficiency is achieved.

### Using Power Cord

- Remove the power cord from the unit by swiveling the cord hook to the right or left. The power cord then can be slid off to either side of the power washer unit.
- Swivel cord hook back to center when ready to wrap the cord back into place for storage.



## OPERATING INSTRUCTIONS

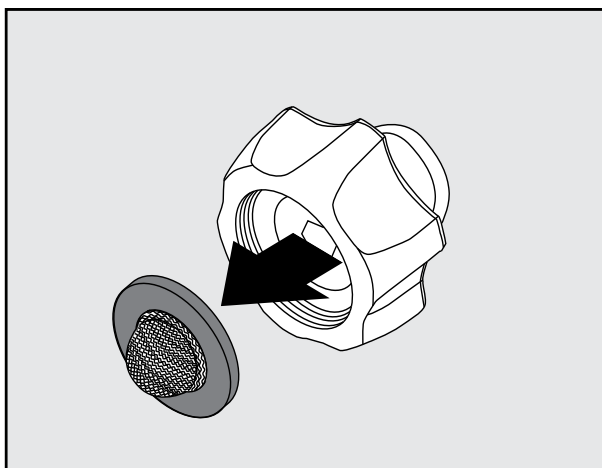
### Detergents

- Use detergents designed for power washers. Hardware stores or home centers also have power washer detergents for different cleaning projects. The cleaning solution should be the consistency of water in order to prevent clogging your detergent bottle and nozzle.
- This system applies detergent under low pressure. The cleaning power of the detergents is enhanced when applied with low pressure and enough time is given to break down dirt and grime. The combination of low pressure and chemical action is very effective and can be better than scrubbing if applied properly. **Always** spray detergent on a dry

surface. **Do not** pre-soak area. Wetting the surface first dilutes the detergent and reduces its cleaning ability. **Do not** allow detergent to dry on surface. On vertical surfaces being cleaned, apply detergent to lower surfaces and work your way up to prevent detergent from causing streaks in the dirt and grime. Rinse detergent by pressure washing from bottom up for same reason.

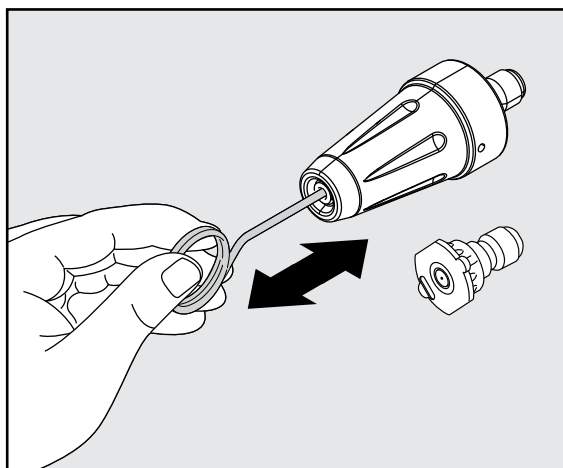
- If a stain is particularly tough, it may be necessary to reapply the detergent and use a bristled brush to scrub the stain. Power washing after brushing should successfully clear the stain.

## CARE AND MAINTENANCE



### Cleaning Garden Hose Adapter

- The screen inside the adapter should be cleaned periodically. Remove it by dragging a thumb over the screen with enough pressure to pull the screen and washer out. Rinse it with clean water and then place it back in the adapter.



### Cleaning Nozzles

- A clogged or partially clogged nozzle can cause significant reduction of water pressure coming out of the nozzle and/or cause the unit to pulsate while spraying.
- Turn off the unit.
- Turn off the water supply to the unit.
- Relieve any pressure trapped in the hose by squeezing the trigger 2 - 3 times, then lock the spray gun by turning the dial to lock ("3" and "9" position).
- Remove the nozzle from the spray gun.
- Using the nozzle cleaner wire provided (or an unfolded paper clip), insert the wire into the nozzle hole and move back and forth until debris is dislodged.
- Back flush water through the nozzles using garden hose and highest pressure available (either standard water nozzle or use your thumb over the nozzle to create water pressure for back flush).

## CARE AND MAINTENANCE

### Storage

- When your pressure washer session has been completed, turn off the power switch. Unplug the power cord from the outlet. Turn off the water supply. Pull the trigger on the spray gun 2-3 seconds to drain out the excess water and to release any remaining water pressure. Do not allow the power washer to run with no water flowing through it.
  - Remove high pressure hose from spray gun and unscrew the other end of the high pressure hose from the power washer.
  - Remove lance from the gun. Place the gun in the holster on the side.
  - Make sure to discard any remaining detergent from the tank. Residual chemical will stick to the container which could become contaminated, and can cause the detergent injector to clog and not function properly. Flush the tank and nozzle head with clear water to prevent clogging.
  - Wind the power cord around the L-shaped hooks located on the top of the machine.
  - The pressure hose is stored on the hose hook located on the back of the handle.
- **DO NOT store the power washer where it is exposed to freezing temperatures unless you use an antifreeze designed for pumps.** Store the power washer indoors to prevent the water in the unit from expanding under freezing conditions. When the water freezes and expands, your power washer will be damaged and become inoperable. Or, if storing outdoors, it is recommended you use pump saver (not included) to protect pumps.

## PUMP SAVER

**Pump Saver** is a product that protects and prolongs the life of the pump. This will keep the internal parts of the pump lubricated and protected from freezing while being stored in ALL climates. It also assists with protection from internal corrosion. The AR Blue Clean part #is: PW64511(16oz. bottle). Order online at [www.arblueclean.com](http://www.arblueclean.com)

### Pump Saver Instructions

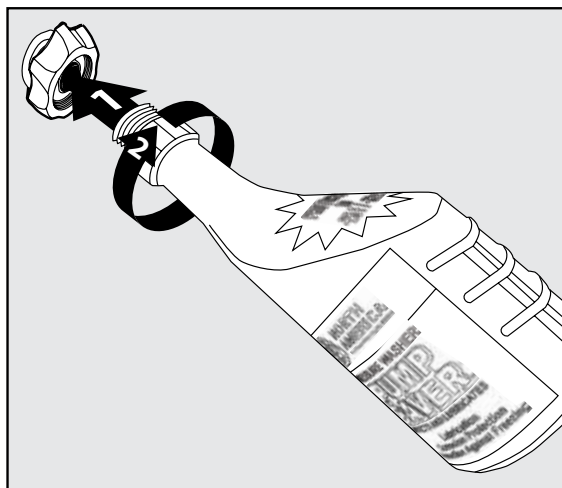
Turn unit off and disconnect the hose and gun before adding pump saver. Unscrew threaded top from bottle to remove seal and reattach threaded top to bottle. Remove black cap from bottle.

- 1) Place top of pump saver bottle onto the garden hose adapter previously installed on the pressure washer inlet.
- 2) Secure pump saver bottle by turning in a clockwise direction.
- 3) Turn the power on.

4) Squeeze bottle to help it into the pump.

5) Turn power off when pump saver exits the machine's water outlet.

**Note:** Instructions on Pump Saver Bottle are generic and not model specific.



## TROUBLESHOOTING

If you have any questions regarding the product, please call customer service at 1-866-235-5112

PROBLEM	CORRECTIVE ACTION
Unit will not turn on.	<ol style="list-style-type: none"> <li>1. The GFCI module on the end of the power cord must be plugged directly into an outlet.</li> <li>2. Do not use an extension cord.</li> <li>3. With the GFCI connected make sure the power switch is turned on.</li> </ol> <p><b>Note:</b> When power switch is turned on, the power washer will turn on by itself for 1-2 seconds and shut off. This is normal.</p>
The unit is running but there is no water flow.	<ol style="list-style-type: none"> <li>1. Power should NOT be turned on until water comes through the spray gun. Doing so will damage the motor.</li> <li>2. Check the water source.</li> <li>3. Eject the nozzle from the lance to determine if clog is coming from the nozzle. (If nozzle is clogged, see nozzle cleaning instructions under “Cleaning nozzles”.)</li> <li>4. Take off the lance and just spray out of the spray gun. This will indicate if the problem is with the lance.</li> <li>5. Check garden hose adapter for loose connection and the filter for debris.</li> </ol>
Why is water leaking where the high pressure hose connects to the spray gun?	<ol style="list-style-type: none"> <li>1. Make sure there is an o-ring at the end of the metal tip of the high pressure hose. If no o-ring is present, the connection between the hose and spray gun will leak. A Replacement O-Ring Kit is included in your parts. If you require additional O-rings, O-Ring Kits are available online at <a href="http://www.arblueclean.com">www.arblueclean.com</a> or call Customer Service at 1-866-235-5112 to place an order.</li> </ol>
The power washer turns on for 2 seconds, shuts off, and will not turn back on. Do I have a defective unit?	<ol style="list-style-type: none"> <li>1. When the water is connected, the accessories are assembled properly, and the power is turned on, the power washer may turn on for 1 - 2 seconds to prime the pump. It automatically shuts off and waits for the spray gun trigger to be pressed. When the trigger is pressed, water starts flowing through the pump. The water sensor in the pump “senses” the moving water and automatically turns the power washer on.</li> <li>2. To perform a “reset”. Turn the power switch to off. Hold the trigger on the spray gun so that you have a steady stream of water. While still holding the trigger, turn the power switch on.</li> </ol>



## LIMITED WARRANTY

This product has a 2 (two) year warranty. Please read the following carefully to understand what each warranty entails:

This product is under warranty to the original retail consumer against defects in material and workmanship for a period 1 (one) year and is a complete “bumper to bumper” warranty including the spray gun, the high pressure hose and all accessories from the date of purchase. The warranty is not transferable or assignable. This warranty covers replacement parts. This limited one year warranty applies only to products used in consumer applications and is void in rental or any commercial application. Reasonable care must be used in conformity with operation and maintenance instructions in the owner’s manual. Failure to follow these instructions will void this warranty. This warranty gives you special legal rights and you may also have other rights which vary from state to state.

The second year of the warranty only covers manufacturer defects.

### Warranty Process

Keep your original receipt of purchase in case of warranty claim.

If your power washer develops a problem, contact Customer Service:

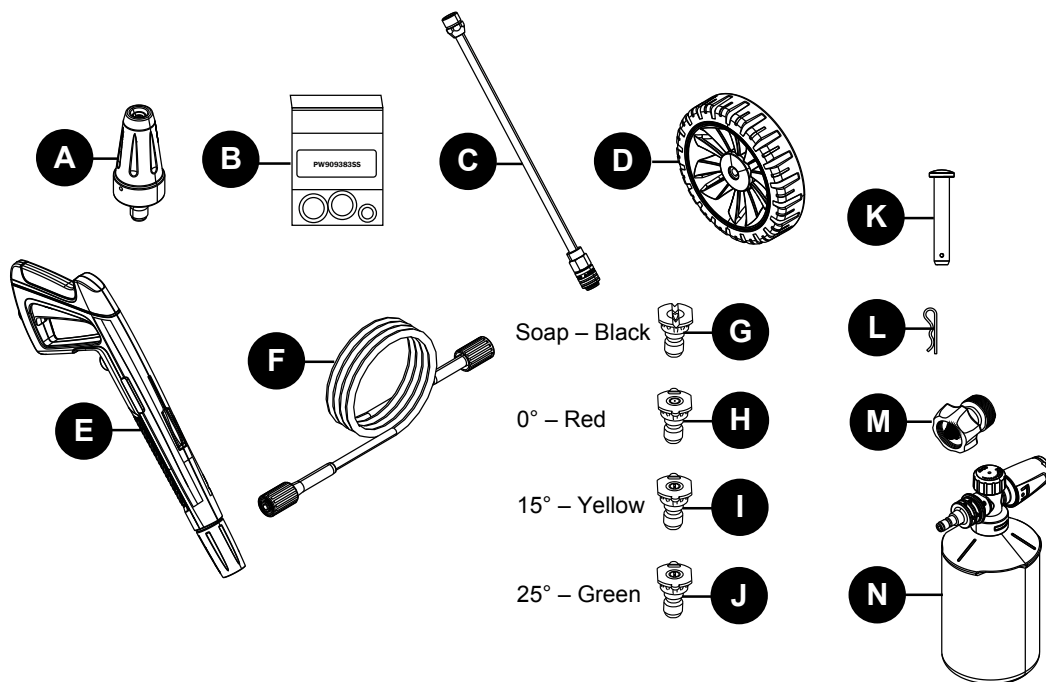
- Call our toll-free number at 1-866-235-5112. Customer Service is available Monday - Friday, 8:00 a.m. - 5:00 p.m., Central Standard Time (CST). A Customer Service Representative will work with you to fix the problem.

If the power washer needs to be returned for repair, shipping costs must be paid by the customer. A **Return Merchandise Authorization (RMA) Number** will be issued for the return. Upon receiving the power washer, the company will repair or replace the unit. We will send unit back to customer at no charge.

Please note: Power washers sent to the company **without an RMA Number will NOT be accepted** and will be shipped back at the expense of the sender.

## REPLACEMENT PARTS LIST

For replacement parts, call our customer service department at 1-866-235-5112, 8:00 a.m. - 5:00 p.m., CST, Monday - Friday or order online at [www.arblueclean.com](http://www.arblueclean.com)



PART	DESCRIPTION	PART #
A	Rotary Nozzle	PW4220680
B	O-Ring Replacement Kit	PW909383SS
C	Extension Lance	PW3400960
D	Wheel	PW4620430
E	Spray Gun	PW4620420
F	High Pressure Hose	PW4221550
G	Soap QC Nozzle	PW4221470

PART	DESCRIPTION	PART #
H	0° QC Nozzle	PW4221430
I	15° QC Nozzle	PW4221440
J	25° QC Nozzle	PW4221450
K	Axle Pin	PW4620370
L	Cotter Pin	PW4620380
M	Garden Hose Adapter	PW4221580
N	Foam Cannon	PW4620260

Printed in China



