

# 1600 PSI

## Electric Pressure Washer



BLUE  
CLEAN®



## ASSEMBLY, CARE AND USE INSTRUCTIONS

### Model BC111HS

READ CAREFULLY

**IMPORTANT: RETAIN THESE INSTRUCTIONS  
AND ATTACH RECEIPT TO MANUAL FOR FUTURE  
REFERENCE.**

**WARNING:** This product can expose you to chemicals including lead, DEHP, DINP, which is known to the State of California to cause cancer and or lead to birth defects. For more information go to [www.P65Warnings.ca.gov](http://www.P65Warnings.ca.gov)

95497-DK

### Questions, problems, missing parts?

Before returning to your retailer, call (1-866-235-5112) or email ([info@arnorthamerica.com](mailto:info@arnorthamerica.com)) our customer service department. They are available from 8:00 a.m. - 5:00 p.m., CST, Monday - Friday. [www.arblueclean.com](http://www.arblueclean.com)

# THANK YOU LETTER

Dear Valued Customer,

We wanted to thank you on behalf of AR Blue Clean for purchasing this **AR Blue Clean electric pressure washer**. We created this pressure washer from listening to our customers for the past **10** years on how they use their pressure washer for all kinds of cleaning projects.

We are excited to tell you that this pressure washer has a 2-year warranty: First year of the warranty completely covers anything that may happen to it during this time. The second year of the warranty only covers manufacturer defects. If you have any concerns or questions, please contact us at **866-235-5112** or **ARBLUECLEAN.COM** where you can email or chat with us. Our friendly customer service team based here in Fridley, MN can help you with just about anything.

Lastly we would like to ask a favor, please take a moment to review this pressure washer from the place you purchased it. We look forward to reading your comments.

Thank you and happy cleaning!

AR Blue Clean Team



A.R. North America Inc.

140 81st Ave. NE Fridley, MN 55432

Ph. +1 763.398.2008

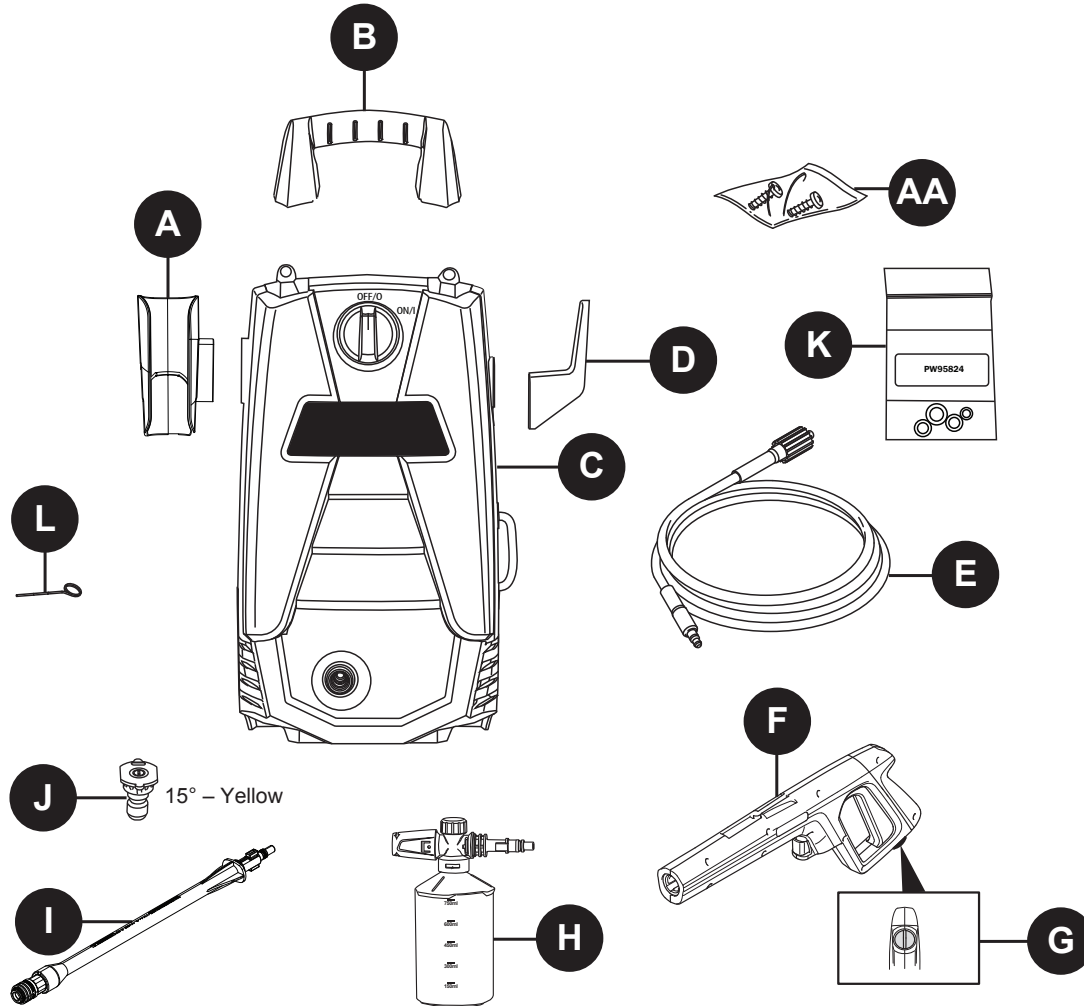
## TABLE OF CONTENTS

Product Specifications .....	3
Package Contents .....	4
Hardware Contents .....	4
Safety Information.....	5
Assembly Instructions.....	7
Operating Instructions .....	11
Care and Maintenance .....	13
Pump Saver .....	14
Troubleshooting.....	15
Limited Warranty.....	16
Replacement Parts List .....	17

## PRODUCT SPECIFICATIONS

SPECIFICATIONS									
Model	Max PSI (lbs/sq. in.)	Rated PSI (lbs/sq. in.)	Max GPM (Gal/per min)	Rated GPM (Gal/per min)	Cold Water	Volts	Frequency (Hz)	Amps	Weight (lbs.)
BC111HS	1600	1160	1.7	1.2	✓	120	60	12.5	14.6

## PACKAGE CONTENTS



PART	DESCRIPTION	QUANTITY
A	Spray Gun Holster	1
B	Handle	1
C	Power Washer Unit	1
D	Cord Hook	1
E	Super Soft High Pressure Hose	1
F	Spray Gun	1
G	Spray Gun Lock/Unlock	1

PART	DESCRIPTION	QUANTITY
H	Foam Cannon	1
I	Extension Lance	1
J	15° Quick Connect Nozzle	1
K	O-Ring Kit	1
L	Nozzle Cleaning Wire	1
AA	Screws	2

## HARDWARE CONTENTS

AA



Screws  
Qty. 2

**Note:** Screws are located in manual package.

## SAFETY INFORMATION

Please read and understand this entire manual before attempting to assemble and operate the product.

This manual contains information that relates to PROTECTING PERSONAL SAFETY and PREVENTING EQUIPMENT PROBLEMS. It is very important to read this manual carefully and understand it thoroughly before using the product. The symbols listed below are used to indicate this information.



### DANGER

Potential hazard that **will result in serious injury or loss of life.**



### WARNING

Hazard that **could result in serious injury or loss of life.**



### CAUTION

Potential hazard that **may result in moderate injury or damage to equipment.**

**Note:** The word “Note” is used to inform the reader of something the operator needs to know about the tool.



### WARNING

To reduce the risk of injury, the user must read and understand the instructions before using this product.

1. Warning – When using this product, basic precautions should always be followed, including the following.
2. Read all the instructions before using the product.
3. Know how to stop the product and bleed pressures quickly. Be thoroughly familiar with the controls.
4. Keep operating area clear of persons.
5. Do not overreach or stand on unstable support. Keep good footing and balance at all times.
6. Follow the maintenance instructions as specified in the manual.
7. To avoid personal injury and/or damage to property and to maximize your power washer experience, carefully follow all of the safety tips, instructions, warnings and safeguards and become familiar with all of the controls. Be sure you know how to quickly bleed off the pressure from all parts of your power washer and how to turn off the power washer.
8. This power washer conforms to CSA and other safety and consumer standards. **DO NOT** modify or rebuild any part of your power washer.
9. **DO NOT** use your power washer when you are under the influence of alcohol or drugs. Use this power tool carefully and only when you are alert.
10. Watch your balance and footing while using your power washer. Surfaces become slippery when wet and are extra slippery when using a detergent or cleaner.
11. **NEVER** operate the power washer in bare feet, sandals, or open-toed shoes.
12. When using the power washer near children, make sure they are closely supervised by an adult to avoid injury. **NEVER** let a child use the power washer.
13. Keep fingers, hands, feet and any part of your body clear of the stream of high pressure water. The powerful spray can cause blindness or blast holes in the skin. It can break a window if you are too close when you pull the trigger on the spray gun.
14. **ALWAYS** wear eye protection to prevent injury to eyes when operating the power washer.
15. To avoid mishaps or injury, **ALWAYS** use the trigger safety lock when not using the power washer even if only stopping briefly.
16. The power washer is equipped with a Ground Fault Circuit Interrupter (GFCI) which greatly reduces the chance of electric shock while the unit is in use. If replacement of the plug or cord is needed, use only identical replacement parts.
17. Point the spray gun in a safe direction when beginning a power washer session.
18. Warning- **NEVER** spray directly at a person, animal, electrical device or the unit itself.
19. When first using the spray gun, hold the spray gun and lance with two hands when pulling the trigger (one hand to pull the trigger and the other to stabilize the gun assembly) until you get used to the “kickback” from the spray gun.
20. When you turn the power switch off, water pressure may remain in the system. To discharge the pressure, point the spray gun in a safe direction and pull the trigger.
21. **NEVER** spray flammable liquids.
22. **NEVER** use the power washer in areas that contain combustible dust, liquids or vapors.
23. Avoid contact of the pressure hose with sharp objects and examine the hose regularly. Replace if damaged. Due to the high pressure involved, it cannot be repaired if cut or damaged.
24. Only use detergent specifically formulated for power washers and follow instructions on the detergent’s label. Dish or laundry soap is too thick and will clog the nozzle of your foam cannon.

## SAFETY INFORMATION

25. Protect eyes, lungs, and skin from exposure to detergent.
26. Warning-If connection is made to a potable water system, the system should be protected against backflow.



### CAUTION

Store the power washer indoors to prevent the water in the unit from expanding under freezing conditions. When the water freezes and expands, your power washer will be damaged and become inoperable. Or, if storing outdoors, it is recommended you use pump saver (not included) to protect pumps.

27. **NEVER** use hot water with your power washer. It will overheat and damage the high pressure pump.
28. **NEVER** leave the power washer unattended while it is powered "ON".
29. **ALWAYS** turn the water supply on before turning the power washer power to on. Running the pump dry will cause damage to the internal components.
30. **NEVER** use a water supply to your power washer that exceeds 150 PSI maximum.
31. **NEVER** disconnect the high pressure hose from the power washer while the system is pressurized.
32. **NEVER** permanently engage the trigger mechanism on the spray gun.
33. **NEVER** operate the power washer unless all components are properly and securely connected.
34. **NEVER** allow the power washer pump to run for more than one minute after you have turned off the water supply. This can cause the motor and pump to overheat and fail.
35. **NEVER** use lances or other parts that are not compatible for this specific AR Blue Clean unit.
36. **NEVER** use an extension power cord since it defeats the effectiveness of the GFCI and increases the chance of electrocuting the operator.
37. **NEVER** spray any electrical outlet with your power washer.
38. Inspect the power cord before using. **DO NOT** use it if it is damaged.
39. Stay alert - watch what you are doing.

## KEEP THESE INSTRUCTIONS FOR FUTURE REFERENCE.

### Servicing of a Double-Insulated Appliance

#### Ground Fault Circuit Interrupter Protection:

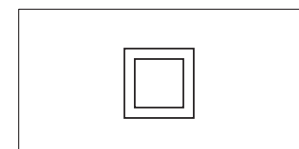
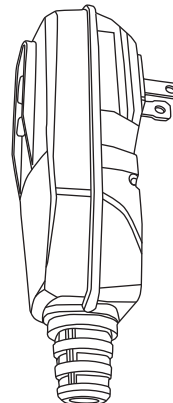
This pressure washer is equipped with a ground-fault circuit-interrupter (GFCI) built into the plugs of the power-supply cord. This device provides additional protection from the risk of electric shock. Should replacement of the plug or cord become necessary, use only identical replacement parts that include GFCI protection.

In a double-insulated product, two systems of insulation are provided instead of grounding. Grounding means are not provided for a double insulated product, nor should grounding means be added to the product.

Servicing a double-insulated product requires extreme care and knowledge of the system, and should only be done by qualified service personnel.

Replacement parts for a double-insulated product must be identical to the original parts.

A double-insulated product is marked with the words "Double Insulation" or "Double Insulated". Product may also be marked with symbol shown here.



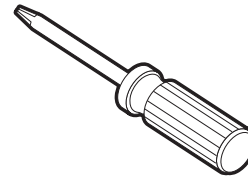
**Double Insulated Product**

## PREPARATION

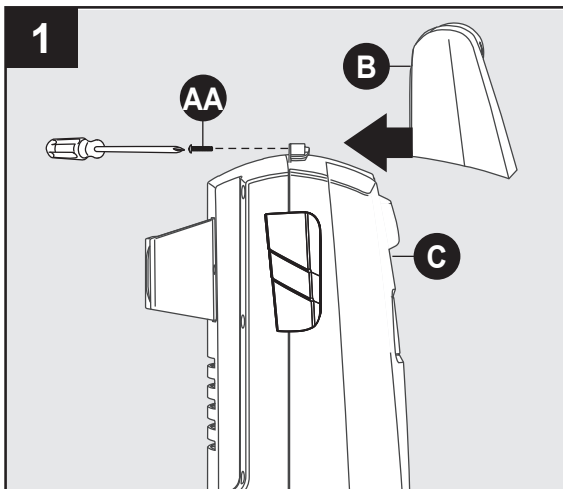
Before beginning assembly of product, make sure all parts are present. Compare parts with package contents list and hardware contents list. If any part is missing or damaged, **DO NOT** attempt to assemble the product. Please call customer service at 1-866-235-5112. Replacement parts will be sent no charge.

Estimated Assembly Time: 5 minutes.

Tools Required for Assembly (not included): Phillips screwdriver.



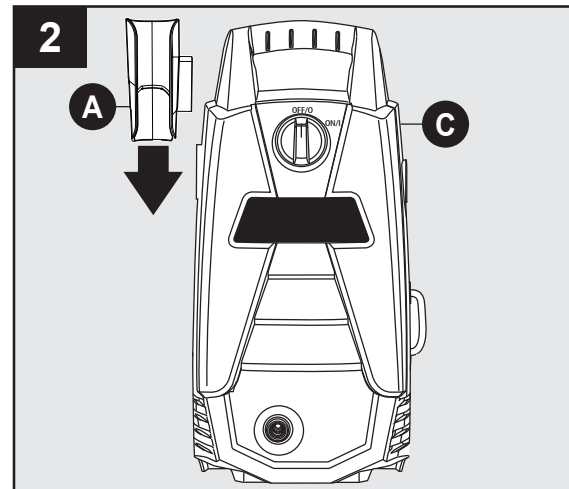
## ASSEMBLY INSTRUCTIONS



### Power Unit Assembly

Install handle (B) to power washer unit (C). Secure with screws (AA).

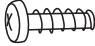
**Note:** **DO NOT** use a power screwdriver. When the screw is completely tight, give a small final clockwise twist of the screwdriver. **DO NOT** overtighten.



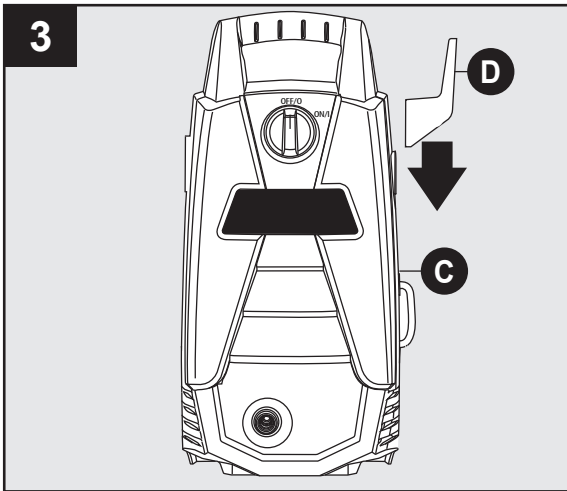
Slide spray gun holster (A) onto left side, when facing the power washer unit (C) as shown.

**Note:** This step does not require any screws.

### Hardware Used:

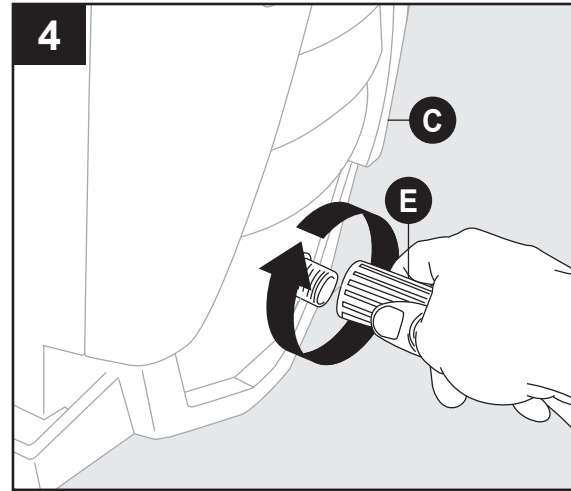
**AA** Screws  x 2

## ASSEMBLY INSTRUCTIONS



Slide cord hook holster (D) onto right side, when facing the power washer unit (C) as shown.

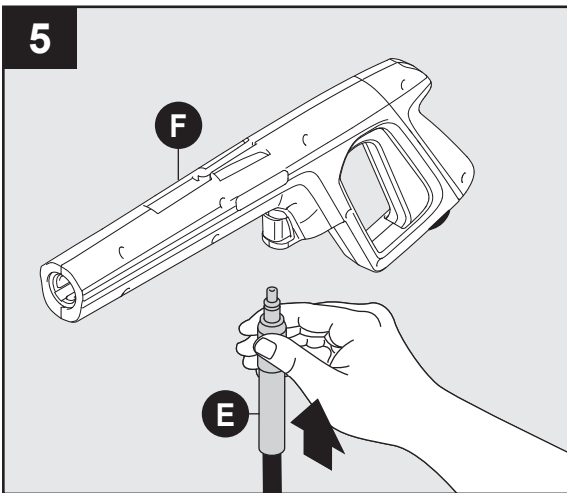
**Note:** This step does not require any screws.



### Super Soft High Pressure Hose Assembly

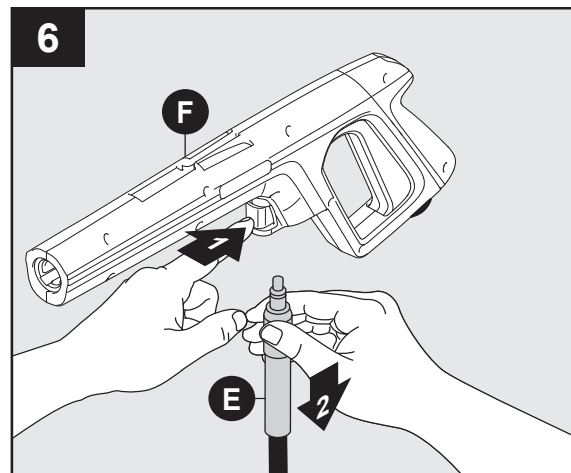
Screw Super Soft high pressure hose (E) clockwise onto bottom front of power washer unit (C). Pull back collar and insert o-ring post into water outlet far enough so collar can thread onto outlet threads until hand tight. If it takes fewer than six turns you have not properly tightened the Super Soft high pressure hose fitting. It is easier to position the power washer in front of you to ensure that the threads are started correctly. Failure to properly tighten Super Soft high pressure hose will result in the hose slipping or popping off immediately upon turning unit on. Do not worry about damage if this occurs—just reinstall and take extra care when screwing on the Super Soft high pressure hose fitting.

**Note:** **DO NOT** use pliers or locking pliers to tighten.



Connect the other end of Super Soft high pressure hose (E) to spray gun (F) by inserting the silver metal tip of Super Soft high pressure hose into the fitting just ahead of trigger guard. It will lock into spray gun with a “click”. Confirm hose is locked into spray gun by slightly pulling on hose. The hose is now securely attached to spray gun.

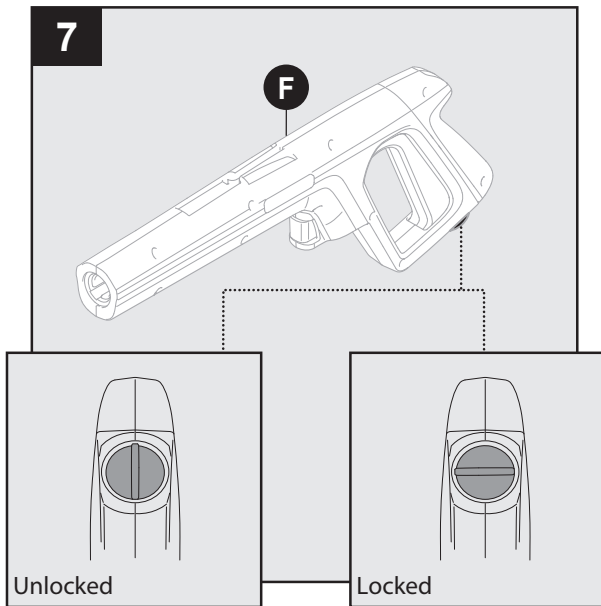
**Note:** **DO NOT** press button on underside of gun when connecting hose to gun. This is the hose release button, and hose will be unable to connect.



To release hose (E) from spray gun (F), press button on underside of gun toward trigger guard. The hose will slide out from connection.



## ASSEMBLY INSTRUCTIONS

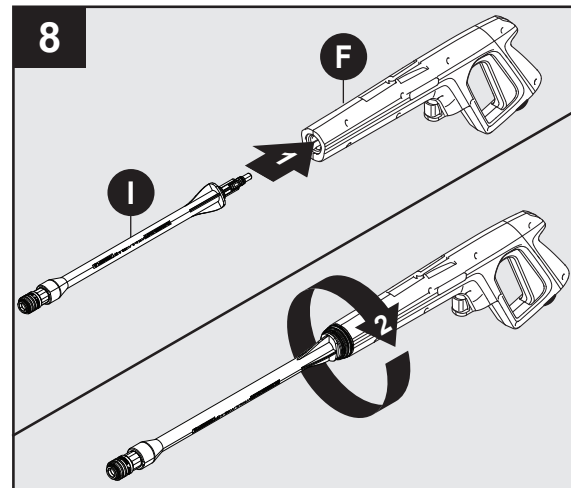


### Locking Spray Gun (Before Lance Installation)

To lock trigger of spray gun (F), point gun away from you and turn dial to lock (“3” and “9” position). Squeeze or pull trigger to make sure it is locked.

**ALWAYS** leave in locked position when not in use. This ensures the gun is in “safe” mode until it is ready for use. Turn dial to unlock (“12” and “6” position) to release spray gun trigger.

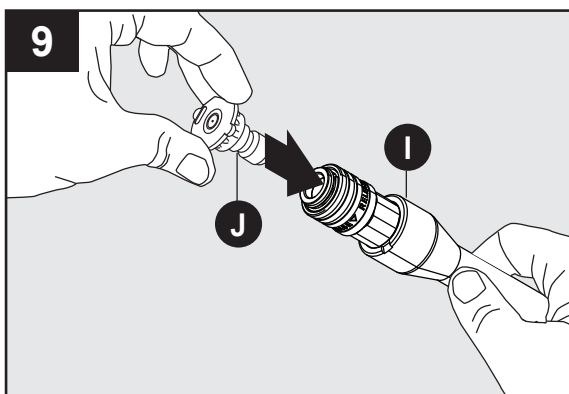
**Note:** The trigger lock prevents trigger from being accidentally engaged.



### Extension Lance Installation

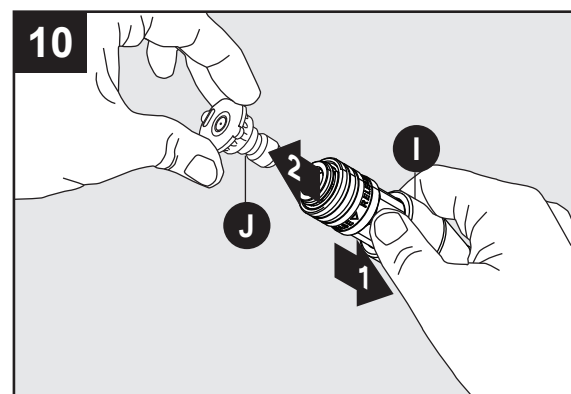
With spray gun (F) in locked position, attach extension lance (I) directly to spray gun. Insert lance extension into gun, pushing together and turning clockwise simultaneously. Turn the extension collar clockwise to lock into place. To remove extension lance (I), turn extension collar counterclockwise to unlock, then push together and turn counterclockwise to release.

**Note:** The extension lance must be inserted in gun before using any of the other attachments, and in place for storage. It is recommended that once extension is connected to leave it in place.



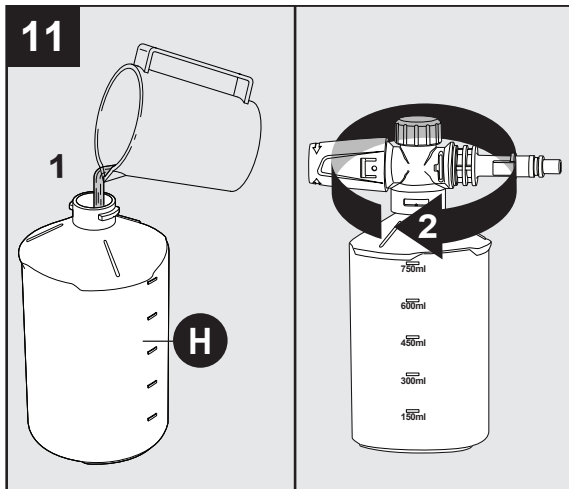
Attach nozzle (J) into end of lance (I) by pressing selected nozzle into place. It will make a “click” sound when firmly in place.

**Note:** Always turn the safety lock dial to lock trigger when changing lances and nozzles to ensure that they do not accidentally eject with force during removal.



To remove nozzle (J) pull back on collar of lance (I) and pull out nozzle.

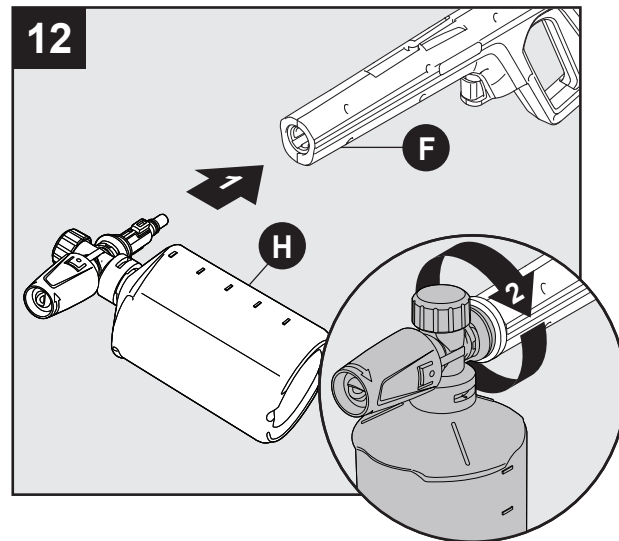
## ASSEMBLY INSTRUCTIONS



### Foam Cannon Installation

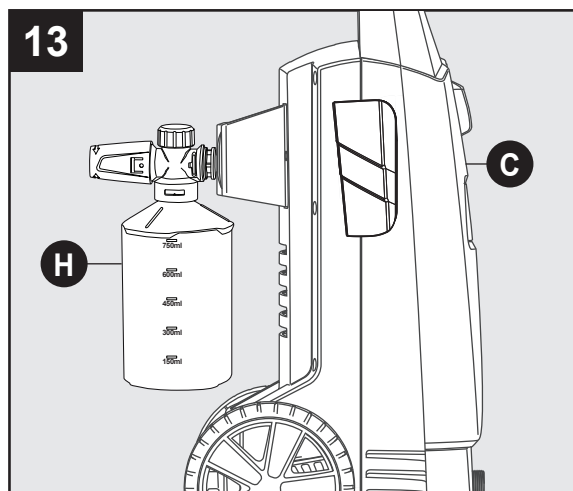
The foam cannon comes with a straw which is fitted into high pressure top. If you do not see the straw, look inside the foam cannon and attach it to the high pressure top. When using foam cannon, fill it with a properly formulated detergent or cleaner with a water ratio according to instructions on the container.

- Pressure washer detergents are recommended. See page 13 for more information.
- **DO NOT** use thick or gel-like detergents as they will clog the foam cannon and can cause damage.



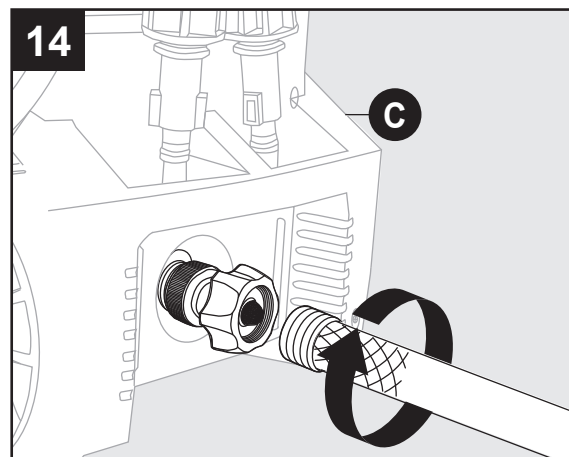
Insert foam cannon (H) into spray gun (F), push in and turn clockwise.

**Note:** Always lock spray gun when changing the foam cannon to ensure it does not eject with force.



### Foam Cannon Storage

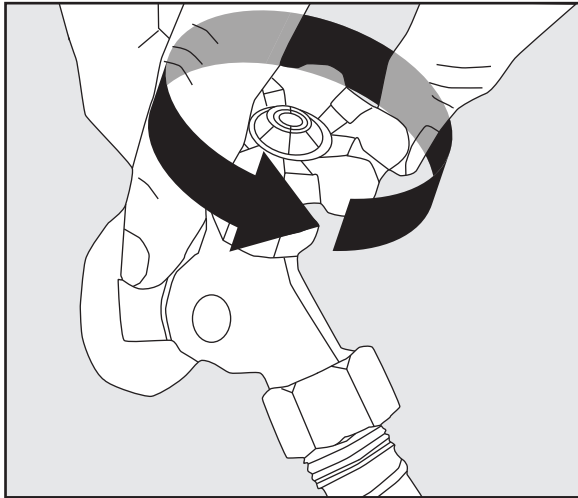
Store the foam cannon (H) on the back of the power washer unit (C).



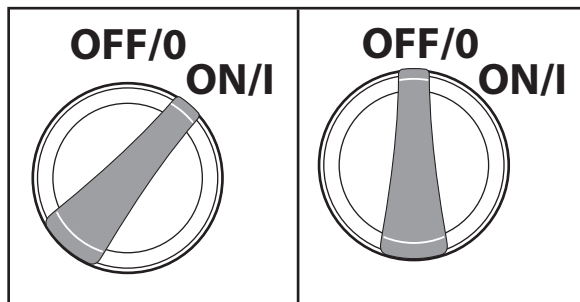
Attach a standard garden hose to the black collar of the garden hose adapter located on the back of the power washer unit (C). The water is now connected to your power washer.

**Note:** Flush out garden hose before connecting to garden hose adapter.

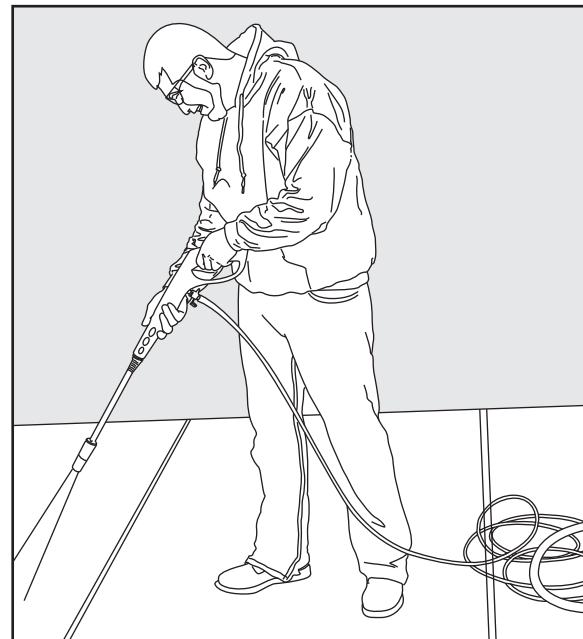
## OPERATING INSTRUCTIONS



- Make sure the “ON/OFF” switch is in the “OFF” position. The power switch has international symbols for ‘on’ and ‘off’: On (I) Off (O).
- Unwind the power cord completely and plug the GFCI into a grounded 120 volt outlet.
- Turn on water supply at the faucet to completely open.
- Release safety push trigger lock up and back into trigger. While pointing the spray gun in a safe direction, squeeze the trigger on the spray gun until there is a steady stream of water, letting the water and air out of the hose. Push trigger lock back down to lock back into place.



- Turn the power switch to the “ON” (I) position. The unit will turn on for 1 - 2 seconds and shut off. This is a normal function of the auto start feature.
- Begin power washing by squeezing the trigger on the spray gun all the way into the handle.
- Release the spray gun trigger to stop the power washer.
- Allow the motor to come to a complete stop before squeezing the trigger again.
- Squeezing and releasing the trigger rapidly will cause the auto start feature to miss an on/off cycle that may prevent it from working properly. Use slow deliberate trigger pulls to avoid such symptoms.



- **Always test** a small area to avoid chance of damaging the surface.

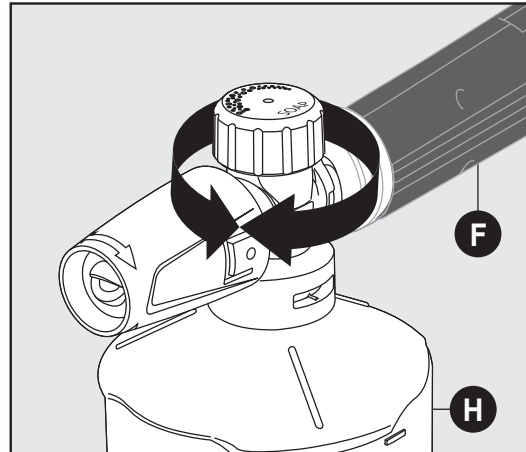
## OPERATING INSTRUCTIONS

### Operation Tips

- **Note:** Test the GFCI before each use:
  1. Plug GFCI into power outlet. Indicator should turn green to show that cord has power.
  2. Press test button, green indicator should turn off to verify that GFCI cut off power to the cord.
  3. Press reset button – green indicator should turn on to show that cord has power again.
  4. When GFCI is working properly, green indicator will turn on when power is applied. If green indicator turns off, it has detected electric leakage and the GFCI cut off power to the appliance.
- If you hear the motor run intermittently when the trigger is not being squeezed, that is normal. The pump is priming itself so it is ready to operate when the trigger is squeezed. Turn off the power washer if not being used after five minutes.
- The o-rings on the bayonet end of the nozzle should be cleaned regularly and lubricated with non-water soluble grease such as petroleum jelly.
- Keep the nozzle cleaning wire for use in unclogging the nozzle. If you lose the cleaning wire, a straightened paper clip also works.

### How to Avoid Damaging Surfaces

- Damage to surfaced being cleaned occurs because the impact force of the water pressure exceeds the durability of the surface. Bare wood can be penetrated, paint can be peeled off, etc. You can vary the force of your power washer by controlling:
  1. The angle of the surface being cleaned.
  2. The distance of the nozzle from the surface being cleaned.
- **NEVER** use a narrow high pressure stream of water on soft surfaces susceptible to damage.



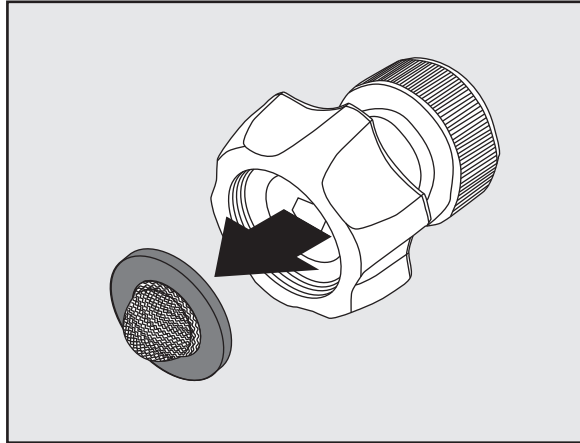
### Adjusting Soap Levels on Foam Cannon

Twist knob to adjust the level of soap as indicated on the top of the Foam Cannon (H). Twist toward the higher concentration of bubbles for more soap, or the opposite direction for less.

### Detergents

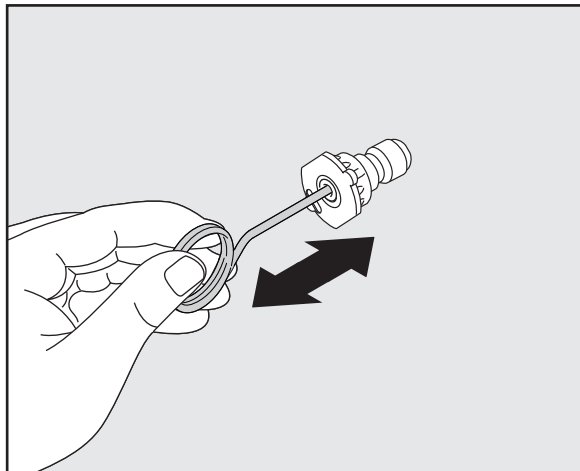
- Use detergents designed for power washers. These can be purchased online at our website [www.arblueclean.com](http://www.arblueclean.com). Hardware stores or home centers also have power washer detergents for different cleaning projects. The cleaning solution should be the consistency of water in order to prevent clogging your detergent bottle and nozzle.
- This system applies detergent under low pressure. The cleaning power of the detergents is enhanced when applied with low pressure and enough time is given to break down dirt and grime. The combination of low pressure and chemical action is very effective and can be better than scrubbing if applied properly. **ALWAYS** spray detergent on a dry surface. **DO NOT** pre-soak area. Wetting the surface first dilutes the detergent and reduces its cleaning ability. **DO NOT** allow detergent to dry on surface. On vertical surfaces being cleaned, apply detergent to lower surfaces and work your way up to prevent detergent from causing streaks in the dirt and grime. Rinse detergent by pressure washer from bottom up for same reason.
- If a stain is particularly tough, it may be necessary to reapply the detergent and use a bristled brush to scrub the stain. Power washing after brushing should successfully clear the stain.

## CARE AND MAINTENANCE



### Cleaning Garden Hose Adapter

- The screen inside the adapter should be cleaned periodically. Remove it by dragging a thumb over the screen with enough pressure to pull the screen and washer out. Rinse it with clean water and then place it back in the adapter.



### Cleaning Nozzles

- A clogged or partially clogged nozzle can cause significant reduction of water pressure coming out of the nozzle and/or cause the unit to pulsate while spraying.
- Turn off the unit.
- Turn off the water supply to the unit.
- Relieve any pressure trapped in the hose by squeezing the trigger 2-3 seconds, and then lock the spray gun by pushing the lock button.
- Remove the lance from the extension lance.
- Take off the variable spray nozzle lance. Rotate the nozzle to open up the metal blades.

- Using the nozzle cleaner wire provided (or an unfolded paper clip), insert the wire into the nozzle hole and move back and forth until debris is dislodged.
- Tap quick connect end of lance on hard surface several times.
- Back flush water through the nozzles using garden hose and highest pressure available (either standard water nozzle or use your thumb over the nozzle to create water pressure for back flush).

### Storage

- When your pressure washer session has been completed, turn off the power switch located on the front of the power washer. Unplug the power cord from the outlet. Turn off the water supply. Pull the trigger on the spray gun 2-3 times to drain out the excess water and to release any remaining water pressure. Disconnect the garden hose adapter from the water inlet. **DO NOT** allow the power washer to run with no water flowing through it.
- Remove high pressure hose from spray gun.
- Remove lance from the gun. Place the gun in the holster on the side. Lances are placed into any of the slots in the back of the unit.
- Make sure to discard any remaining detergent from the bottle. Residual chemical will stick to the container which could become contaminated, and can cause the detergent injector to clog and not function properly. Flush the bottle and nozzle head with fresh water to prevent clogging.
- Hook the power cord around the cord hook on the right side of the machine when facing it.
- The pressure hose is stored on the hose hook located on the back of the handle.
- **DO NOT store the power washer where it is exposed to freezing temperatures unless you use an antifreeze designed for pumps.** Store the power washer indoors to prevent the water in the unit from expanding under freezing conditions. When the water freezes and expands, your power washer will be damaged and become inoperable. Or, if storing outdoors, it is recommended you use pump saver (not included) to protect pumps.

## PUMP SAVER

**Pump Saver** is a product that protects and prolongs the life of the pump. This will keep the internal parts of the pump lubricated and protected from freezing while being stored in ALL climates. It also assists with protection from internal corrosion. The AR Blue Clean part #is: PW64511(16oz. bottle). Order online at [www.arblueclean.com](http://www.arblueclean.com)

### Pump Saver Instructions

Follow the previous storage instructions for your power washer. To prevent staining, protect the surface under the power washer from any excess fluid. Wear eye protection when using this product.

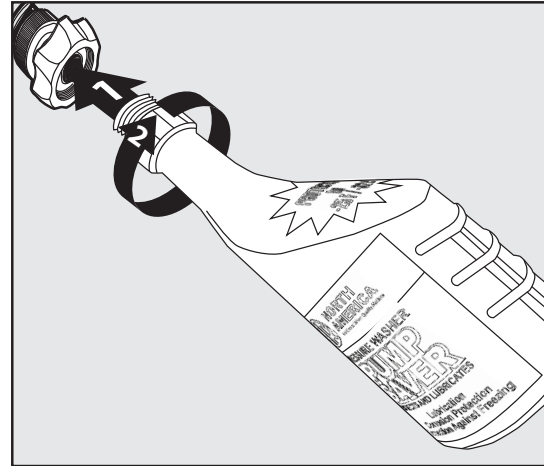
Turn unit off and disconnect the gun before adding pump Saver. Unscrew threaded top from bottle to remove seal and reattach threaded top to bottle. Remove black cap from bottle.

- 1) Place top of pump saver bottle onto the garden hose adapter.
- 2) Secure pump saver bottle by turning in a clockwise direction.
- 3) Turn the power on.

4) Squeeze bottle to help it into the pump.

5) Turn power off when pump saver exits the machine's water outlet.

**Note:** Instructions on Pump Saver Bottle are generic and not model specific.



## TROUBLESHOOTING

If you have any questions regarding the product, please call customer service at 1-866-235-5112.

PROBLEM	CORRECTIVE ACTION
Unit will not turn on.	<ol style="list-style-type: none"> <li>1. The GFCI module on the end of the power cord must be plugged directly into an outlet.</li> <li>2. Do not use an extension cord.</li> <li>3. With the GFCI Connected make sure the power switch is turned on.</li> </ol> <p><b>Note:</b> When power switch is turned on, the power washer will turn on by itself for 1-2 seconds and shut off. This is normal.</p>
The high pressure (HP) hose will not connect/stay connected to the spray gun. Is this a spray gun problem?	<ol style="list-style-type: none"> <li>1. In most cases, the spray gun is not the problem. The problem is the rubber sleeve covering the fitting at the end of the high pressure hose. It has likely slipped up toward the metal tip. To fix: wiggle, twist and/or pull the rubber sleeve down until the entire tip is visible plus an 1/8 in. of the metal fitting below the tip. Now try to insert the hose tip into the spray gun. It should “click” into place and will not come out until the hose is released by pushing in the lever on the underside of the gun. You may cut away the end of the sleeve with a sharp knife if unable to move the sleeve down. Be careful not to cut or puncture the hose.</li> <li>2. Do not push in the release button when connecting the high pressure hose.</li> </ol>
The unit is running but there is no water flow.	<ol style="list-style-type: none"> <li>1. Power should NOT be turned on until water comes through the spray gun. Doing so will damage the motor.</li> <li>2. Check the water source.</li> <li>3. Eject the nozzle from the lance to determine if clog is coming from the nozzle (If nozzle is clogged, see nozzle cleaning instructions under “Cleaning nozzles”).</li> <li>4. Take off the lance and just spray out of the spray gun. This will indicate if the problem is with the lance.</li> <li>5. Check Garden Hose Adapter for loose connection and the filter for debris.</li> </ol>
Why is water leaking where the high pressure hose connects to the spray gun?	<ol style="list-style-type: none"> <li>1. Make sure there is an o-ring at the end of the metal tip of the high pressure hose. If no o-ring is present, the connection between the hose and spray gun will leak. O-Ring Replacement Kit (L) is included with purchase. Additional O-Ring Kits are available online at <a href="http://www.arblueclean.com">www.arblueclean.com</a> or call Customer Service at 1-866-235-5112 to place an order.</li> </ol>
I can't remove the lance from the spray gun. What should I do?	<ol style="list-style-type: none"> <li>1. All lances and the detergent bottles are attached and removed from the extension lance in the same manner. Insert the quick-release end of the lance/detergent bottle into the extension lance. Press the extension lance and lance together (about a 1/8”) and turn clockwise. The lance will lock in place. Remove the lance by reversing this procedure. Press the extension lance and lance together and turn counter clockwise. The lance will slide out.</li> <li>2. Or, hold the extension lance and lance in an upright position with the nozzle end on the floor. Push the whole assembly straight down to loosen the connection, and then follow the removal process again. You may also spray soapy water or a lubricant in the area where the lance connects to the extension lance.</li> </ol>

## TROUBLESHOOTING

PROBLEM	CORRECTIVE ACTION
The power washer turns on for 2 seconds, shuts off, and will not turn back on. Do I have a defective unit?	<ol style="list-style-type: none"><li>1. It sounds like your power washer is working just fine. When the water is connected, the accessories are assembled properly, and the power switch is turned on, the power washer may turn on for 1 - 2 seconds to prime the pump. It automatically shuts off and waits for the spray gun trigger to be pressed. When the trigger is pressed, water starts flowing through the pump. The water sensor in the pump “senses” the moving water and automatically turns the power washer on.</li><li>2. Turn the power switch to off, hold in the trigger on the spray gun, so that you have a steady stream of water. While you are holding the trigger open on the spray gun, at the same time, turn the power switch on.</li></ol>

## LIMITED WARRANTY

The Warranty of this product is covered by A.R.North America.

This product has a 2 (two) year warranty. Please read the following carefully to understand what each warranty entails:

This product is under warranty to the original retail consumer against defects in material and workmanship for a period of 1(one) year and is a complete “bumper to bumper” warranty including the spray gun, the high pressure hose and all accessories from the date of purchase. The warranty is not transferable or assignable. This warranty covers replacement parts. This limited one year warranty applies only to products used in consumer applications and is void in rental or any commercial application. Reasonable care must be used in conformity with operation and maintenance instructions in the owner’s manual and quick start guide. Failure to follow these instructions will void this warranty. This warranty gives you special legal rights and you may also have other rights which vary from state to state.

The second year of the warranty only covers manufacturer defects.

### Warranty Process

Keep your original receipt of purchase in case of warranty claim.

If your power washer develops a problem, contact Customer Service:

- Call our toll-free number at 1-866-235-5112. Customer Service is available Monday - Friday 8:00 a.m. to 5:00 p.m. Central Standard Time (CST). A Customer Service Representative will work with you to fix the problem.

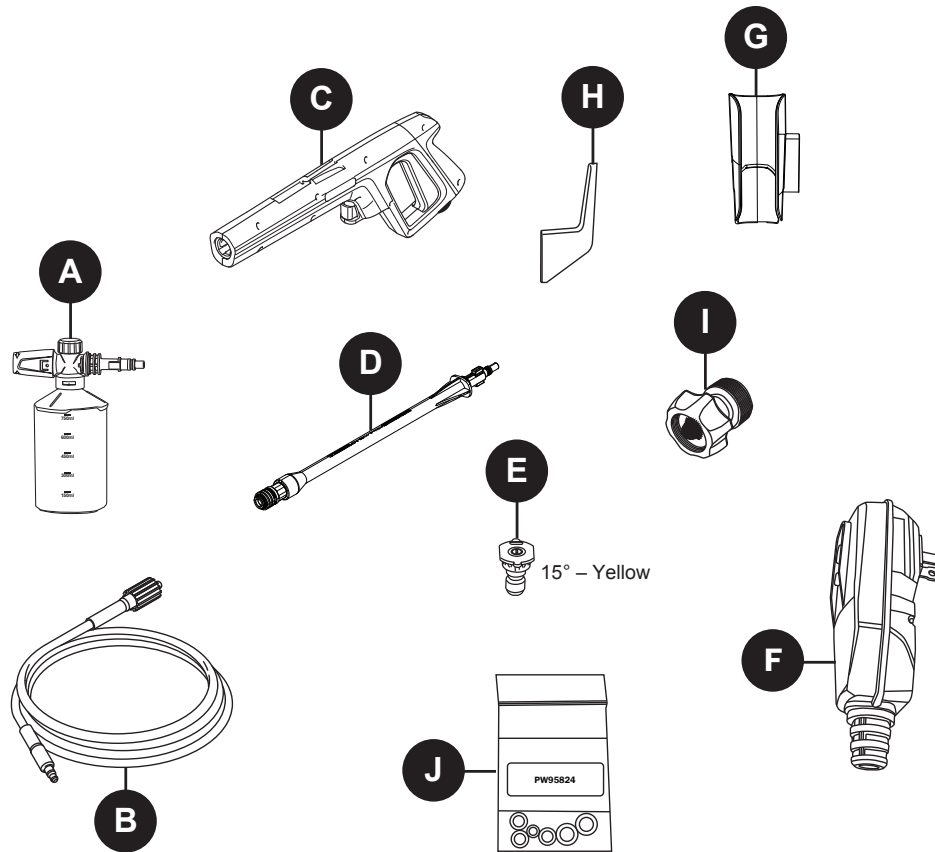
If the power washer needs to be returned for repair, shipping costs to the company must be paid by the customer. A **Return Merchandise Authorization (RMA) Number** will be issued for the return. Upon receiving the power washer, the company will repair or replace the unit. We will send unit back to customer at no charge.

Please note: Power washers sent to the company **without an RMA Number will NOT be accepted** and will be shipped back at the expense of the sender.



## REPLACEMENT PARTS LIST

For replacement parts, call our customer service department at 1-866-235-5112, 8 a.m. - 5:00 p.m., CST, Monday - Friday or order online at [www.arblueclean.com](http://www.arblueclean.com)



PART	DESCRIPTION	PART #
A	Foam Cannon (25 oz.)	PW4620275
B	Super Soft High Pressure Hose	PW4222400
C	Spray Gun	PW4381488
D	Extension Lance	PW4222470
E	15° Quick Connect Nozzle	PW4222590

PART	DESCRIPTION	PART #
F	GFCI Assembly	PW4221160
G	Gun Holster	PW4222480
H	Cord Hook	PW4220590
I	Garden Hose Adapter	PW4221570
J	O-Ring Kit	PW95824

Printed in China

# 1600 PSI



BLUE  
CLEAN®

## LAVEUSE À PRESSION ÉLECTRIQUE



### GUIDE D'ASSEMBLAGE, D'ENTRETIEN ET D'UTILISATION Modèle BC111HS

LIRE ATTENTIVEMENT

**IMPORTANT : CONSERVER CE GUIDE ET  
INSÉRER LA FACTURE DANS LE GUIDE POUR  
RÉFÉRENCE ULTÉRIEURE.**

95497-DK

#### Questions, problèmes, pièces manquantes?

Avant de retourner l'appareil chez le marchand, Appelez (1-866-235-5112) ou par courriel (info@arnorthamerica.com) notre département customerService. Ils sont disponibles de 8 h à 17 h, HNC, du lundi au vendredi. [www.arblueclean.com](http://www.arblueclean.com)

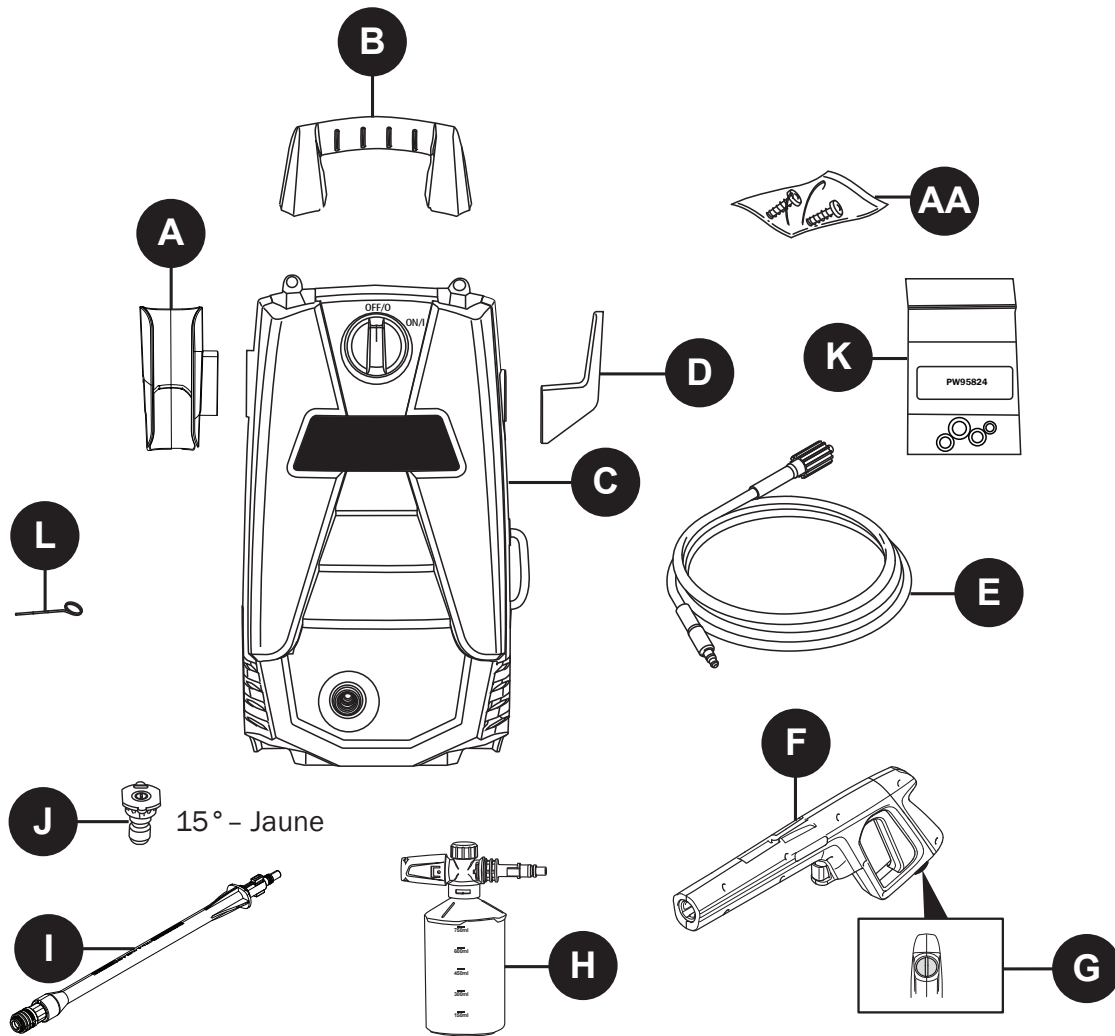
## TABLE DES MATIÈRES

Spécifications du produit.....	19
Contenu de l'emballage.....	20
Matériel inclus.....	20
Consignes de sécurité .....	21
Instructions d'assemblage .....	23
Mode d'emploi .....	27
Entretien et maintenance.....	29
Protecteur de pompe .....	30
Dépannage .....	31
Garantie limitée.....	32
Liste des pièces de rechange.....	33

## SPÉCIFICATIONS DU PRODUIT

SPÉCIFICATIONS									
Modèle	PSI maximum (k/cm <sup>2</sup> ) (lb/po <sup>2</sup> )	PSI Évalué (k/cm <sup>2</sup> ) (lb/po <sup>2</sup> )	Débit maximum (Litre/min) (Gal./min)	Débit Évalué (Litre/min) (Gal./min)	Eau froide	Volts	Fréquence (Hz)	Ampères	Poids (kg) (lb)
BC111HS	4 682 (1 600)	3394 (1 160)	6.4 (1.7)	4.5 (1.2)	✓	120	60	12.5	6.6 (14.6)

## CONTENU DE L'EMBALLAGE



PIÈCE	DESCRIPTION	QUANTITÉ
A	Étui à pistolet pulvérisateur	1
B	Poignée	1
C	Laveuse à pression	1
D	Crochet pour cordon d'alimentation	1
E	Tuyau à haute pression	1
F	Pistolet pulvérisateur	1
G	Cran de verrouillage/déverrouillage	1

PIÈCE	DESCRIPTION	QUANTITÉ
H	Canon mousse	1
I	Lance d'extension	1
J	15° Buses à raccord rapide	1
K	Ensemble de joints toriques	1
L	Tige de nettoyage de la buse	1
AA	Vis	2

## MATÉRIEL INCLUS

AA



Vis  
Qté 2

**Remarque :** Les vis se trouvent dans l'emballage du manuel.

## CONSIGNES DE SÉCURITÉ

Veillez lire et comprendre tout ce manuel avant d'essayer de monter et de faire fonctionner le produit.

Le présent manuel contient des informations concernant la PROTECTION DE LA SÉCURITÉ PERSONNELLE et la PRÉVENTION DE PROBLÈMES D'ÉQUIPEMENT Il est important de lire et de comprendre l'intégralité du manuel avant d'utiliser le produit. Les symboles apparaissant ci-dessous sont utilisés pour indiquer ces informations.



### DANGER

Risque potentiel ayant pour conséquence **des blessures graves ou la mort.**



### AVERTISSEMENT

Risque potentiel pouvant causer **des blessures graves ou la mort.**



### ATTENTION

Risque potentiel pouvant causer **des blessures ou des dommages à l'équipement.**

**Remarque :** Le mot « Remarque » est utilisé pour informer l'utilisateur d'un renseignement important concernant l'utilisation de l'appareil.



### AVERTISSEMENT

Pour réduire le risque de blessure, l'utilisateur doit lire et comprendre les instructions avant d'utiliser ce produit.

1. Avertissement — Certaines précautions de base doivent être toujours suivies lors de l'utilisation de l'appareil, y compris :
2. Lire les instructions avant d'utiliser l'appareil.
3. Savoir comment arrêter l'appareil et le dépressuriser rapidement. Connaître le fonctionnement de chaque bouton de commande.
4. Définir un périmètre de sécurité.
5. Ne pas s'étirer trop loin ou prendre place sur un support instable. Toujours garder une position stable et sûre.
6. Suivre les directives d'entretien décrites dans le manuel.
7. Pour éviter des blessures ou des dommages matériels et pour profiter au maximum de l'appareil, suivre les conseils de sécurité, instructions, avertissements et recommandations et se familiariser avec les commandes.
8. Cette laveuse à pression est conforme aux normes de la CSA et à d'autres normes de sécurité. **NE PAS** modifier ni reconditionner les pièces de cette laveuse à pression.
9. **NE PAS** utiliser cette laveuse à pression si vous êtes sous l'influence d'alcool ou de drogue. Utiliser cet appareil avec prudence et uniquement lorsque vous êtes alerte.
10. Toujours garder une position stable et sûre pendant l'utilisation de la laveuse à pression. Les surfaces mouillées sont glissantes et l'utilisation de détergent les rend encore plus dangereuses.
11. **NE JAMAIS** utiliser la laveuse à pression les pieds nus, en sandales ou avec des chaussures ouvertes.
12. Lorsque des enfants sont présents autour de la zone d'utilisation de la laveuse à pression, un adulte doit assurer la surveillance pour éviter le risque de blessures. **NE JAMAIS** permettre à un enfant d'utiliser la laveuse à pression.
13. Tenir les doigts, les mains, les pieds et toutes les parties du corps loin du jet d'eau à haute pression. Le jet d'eau à haute pression peut causer la cécité ou déchirer la peau. Il peut fracasser une vitre si la buse est trop proche de la fenêtre lorsqu'on appuie sur la gâchette du pistolet pulvérisateur.
14. Afin de prévenir les blessures aux yeux, PORTER toujours des lunettes de sécurité pendant l'utilisation de la laveuse à pression.
15. Pour éviter les accidents ou les blessures, **VERROUILLER** toujours la gâchette à l'aide du bouton de sûreté lorsque la laveuse à pression n'est pas en service, même si le jet a été arrêté temporairement.
16. La laveuse à pression est équipée d'un disjoncteur de fuite de terre afin de réduire le risque de décharge électrique pendant l'utilisation de l'appareil. S'il est nécessaire de remplacer la fiche ou le cordon d'alimentation, utiliser uniquement une pièce de remplacement identique.
17. Pointer le pistolet pulvérisateur vers une direction sécuritaire avant de commencer une séance de lavage.
18. Avertissement — **NE JAMAIS** utiliser le pistolet pulvérisateur pour arroser une personne, un animal, un appareil électrique ou la laveuse à pression.
19. À la première utilisation du pistolet pulvérisateur, tenir le pistolet et la lance à deux mains (une main pour appuyer sur la gâchette et l'autre pour stabiliser le pistolet et la lance) de manière à évaluer l'effet de rebond du pistolet pulvérisateur.
20. Lorsque l'alimentation électrique de la laveuse à pression est coupée, de l'eau sous pression demeure dans l'appareil. Pour relâcher la pression, pointer le pistolet pulvérisateur dans une direction sécuritaire et appuyer sur la gâchette.
21. **NE JAMAIS** pulvériser de liquide inflammable.
22. **NE JAMAIS** utiliser la laveuse à pression dans un espace rempli de poussières, de liquide ou de vapeurs combustibles.
23. Éviter tout contact entre le tuyau à HP et des objets tranchants et vérifier le tuyau régulièrement. Remplacer le tuyau s'il est endommagé. Puisque c'est un tuyau à haute pression, il ne peut pas être réparé.
24. Utiliser uniquement un détergent spécialement conçu pour les laveuses à pression et suivre les instructions sur l'étiquette de la bouteille de détergent.

## CONSIGNES DE SÉCURITÉ

25. Utiliser des équipements de protection qui protégeront les yeux, les poumons et la peau contre l'exposition au détergent. Le savon à vaisselle et les détergents à lessive sont trop épais et boucheront la buse de la bouteille à détergent.
26. **AVERTISSEMENT**-Si la connexion est faite à un système d'eau potable, le système doit être protégé contre les reflux.



### ATTENTION

Lorsque la température extérieure est sous zéro, entreposer la laveuse à pression à l'intérieur pour éviter que l'eau dans l'appareil gèle. Le fait que l'eau gèle et augmente de volume aura pour effet d'endommager l'appareil et de le rendre inutilisable. Si l'appareil doit être entreposé à l'extérieur, il est recommandé d'utiliser un protecteur de pompe (non compris) pour protéger la pompe.

27. **NE JAMAIS** utiliser d'eau chaude dans la laveuse à pression. Cela aura pour effet de surchauffer la pompe à haute pression et de l'endommager.
28. **NE JAMAIS** laisser la laveuse à pression sans surveillance lorsque l'interrupteur est à la position « ON » (marche).
29. **TOUJOURS** ouvrir l'alimentation en eau avant de placer l'interrupteur électrique à la position « ON » (marche). Le fait de faire fonctionner la pompe à sec pourrait endommager ses composants internes.

30. **NE JAMAIS** utiliser une source d'alimentation en eau ayant une pression supérieure à 150 PSI.
31. **NE JAMAIS** débrancher le tuyau à haute pression de la laveuse à pression pendant que le système est sous pression.
32. **NE JAMAIS** bloquer la gâchette en position ouverte de manière permanente.
33. **NE JAMAIS** faire fonctionner la laveuse à pression si tous les composants ne sont pas branchés correctement et de manière sécuritaire.
34. **NE JAMAIS** laisser fonctionner la pompe de la laveuse à pression plus d'une minute après que l'alimentation en eau ait été coupée. Cela pourrait occasionner la surchauffe du moteur et de la pompe et causer une défaillance.
35. **NE JAMAIS** utiliser une lance ou un autre composant qui n'est pas compatible avec ce modèle d'appareil AR Blue Clean.
36. **NE JAMAIS** brancher une rallonge au cordon d'alimentation de l'appareil. Cela compromettrait l'efficacité du disjoncteur de fuite de terre et augmenterait le risque d'électrocution de l'utilisateur.
37. **NE JAMAIS** arroser une prise électrique avec le jet du pistolet pulvérisateur.
38. Inspecter le cordon d'alimentation avant d'utiliser l'appareil. **NE PAS** utiliser l'appareil si le cordon d'alimentation est endommagé.
39. Restez en alerte - attention à ce que tu fais.

## CONSERVER CES INSTRUCTIONS POUR RÉFÉRENCE ULTÉRIEURE.

### Entretien d'un appareil à double isolation

Protection par un disjoncteur de fuite de terre :

cette laveuse à pression est protégée par un disjoncteur de fuite de terre intégré dans la fiche du cordon d'alimentation. Ce dispositif fournit une protection additionnelle contre le risque de décharge électrique. S'il est nécessaire de remplacer la fiche ou le cordon d'alimentation, utilisez uniquement une pièce de remplacement identique comprenant un disjoncteur de fuite de terre.

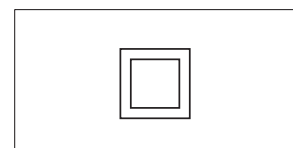
Les appareils à double isolation comprennent deux dispositifs d'isolation à la place d'une prise de terre. Les appareils à double isolation ne sont pas équipés d'un dispositif de mise à la terre et ce type de dispositif ne devrait pas être raccordé au produit.

L'entretien d'un appareil à double isolation nécessite une attention et un savoir-faire particuliers et doit être

confié à un technicien qualifié.

Les pièces de rechange d'un appareil à double isolation doivent être identiques à l'original.

Les produits à double isolation portent la marque « Double Insulation » ou « Double Insulated ». Certains produits peuvent également être marqués du symbole illustré ci-dessous.



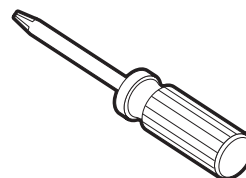
**Double Insolated Product**

## PRÉPARATION

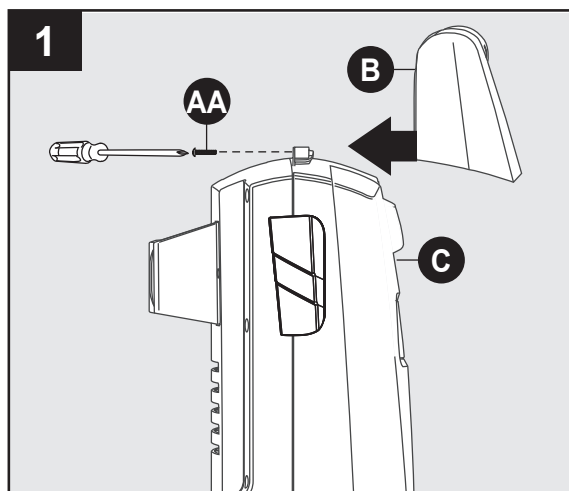
Avant de commencer l'assemblage de l'appareil, assurez-vous que toutes les pièces sont dans l'emballage. Comparez les pièces à la liste des pièces et du matériel. Dans le cas où une pièce est manquante ou endommagée, **N'ESSAYEZ PAS** d'assembler l'appareil. Veuillez appeler le service à la clientèle au 1-866-235-5112. Les pièces de rechange seront envoyées sans frais.

Temps d'assemblage approximatif : 5 minutes.

Outil nécessaire pour l'assemblage (non compris) :  
Tournevis cruciforme.



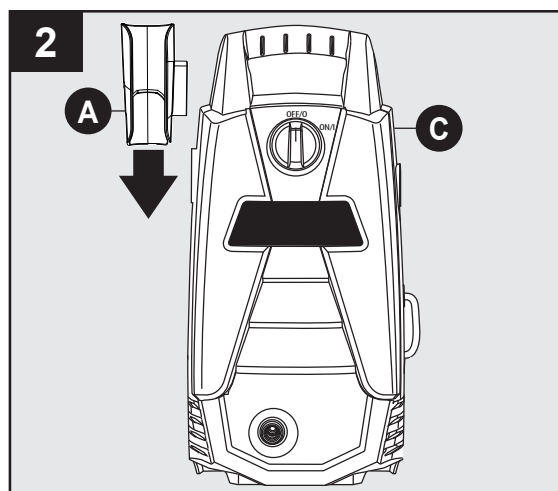
## INSTRUCTIONS D'ASSEMBLAGE



### Assemblage de l'appareil

Installez la poignée (B) sur la laveuse à pression (C). Fixez-la à l'aide des vis (AA).

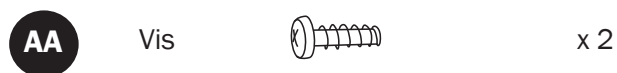
**Remarque : N'UTILISEZ PAS** un tournevis électrique. Une fois la vis complètement serrée, vissez-la encore de quelques degrés dans le sens horaire. **NE SERREZ PAS** à l'excès.



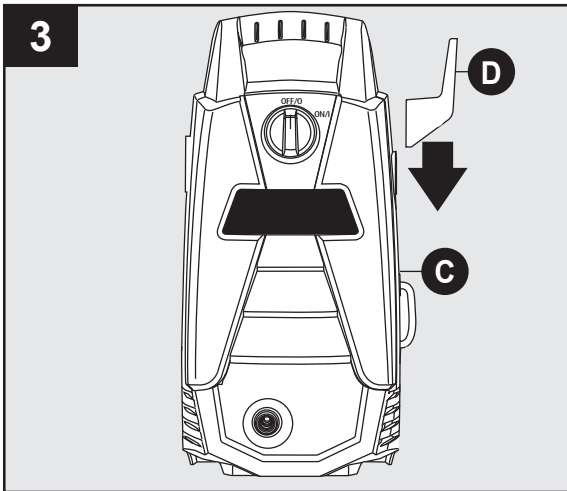
Placez l'appareil face contre vous, puis faites glisser l'étui à pistolet (A) sur le côté gauche de l'appareil (C) tel qu'illustré.

**Remarque :** L'étape suivante ne nécessite aucune vis.

### Matériel utilisé :

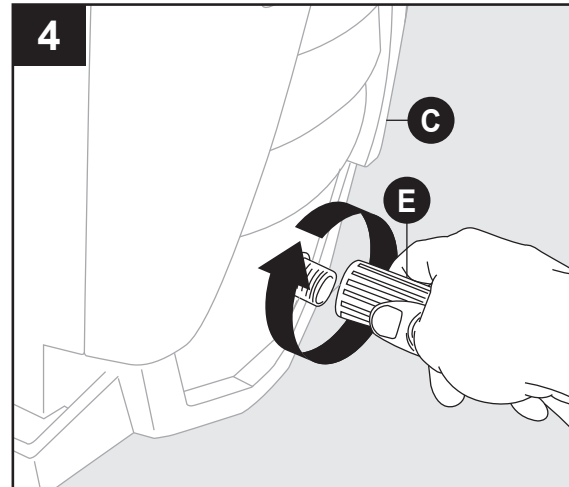


## INSTRUCTIONS D'ASSEMBLAGE



Placez l'appareil face contre vous, puis faites glisser le crochet à tuyau (D) sur le côté droit de l'appareil (C) tel qu'illustré.

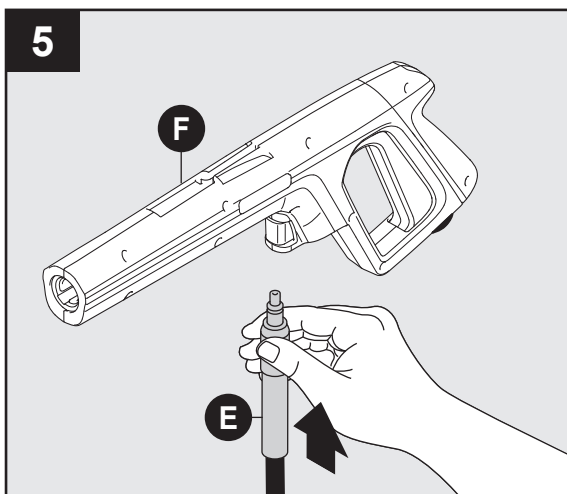
**Remarque :** L'étape suivante ne nécessite aucune vis.



### Assemblage du tuyau à haute pression

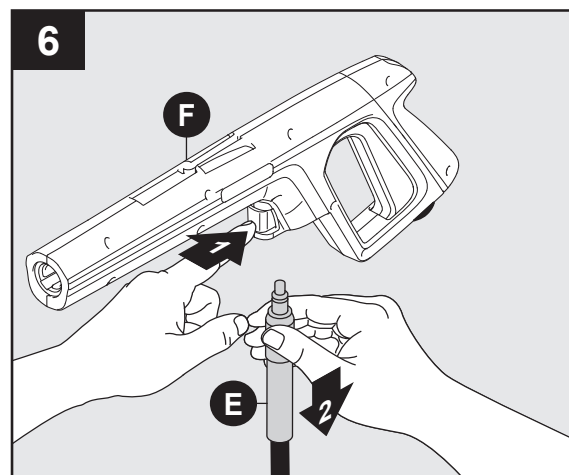
Vissez le tuyau à haute pression (E) dans le sens horaire sur le raccord situé à la base, sur la face avant (C) de l'appareil. Retirez le collier vers l'arrière et insérez l'embout dans la sortie d'alimentation en eau suffisamment profondément de sorte que le collier puisse être vissé sur le filet et serré à la main. S'il faut faire moins de six tours, alors le raccord du tuyau à haute pression n'est pas correctement serré. Il est plus facile d'engager le collier sur le filet si la laveuse à pression est positionnée directement devant soi. Le fait de ne pas serrer correctement le tuyau à haute pression aura pour effet de déconnecter le tuyau dès que l'appareil sera mis en marche. Une telle situation n'endommagera pas l'appareil. Reconnectez simplement le tuyau et assurez-vous de le serrer correctement sur le raccord de l'appareil.

**Remarque :** **NE SERREZ PAS** avec une pince ou une pince-étau.



Branchez l'autre extrémité du tuyau à haute pression (E) au pistolet pulvérisateur (F). Pour ce faire, insérez l'embout métallique argenté du tuyau dans le raccord situé devant la gâchette. Un clic se fera entendre indiquant le verrouillage des deux composants. Tirez légèrement sur le tuyau pour confirmer le verrouillage. Le tuyau est maintenant fixé sécuritairement dans le pistolet pulvérisateur.

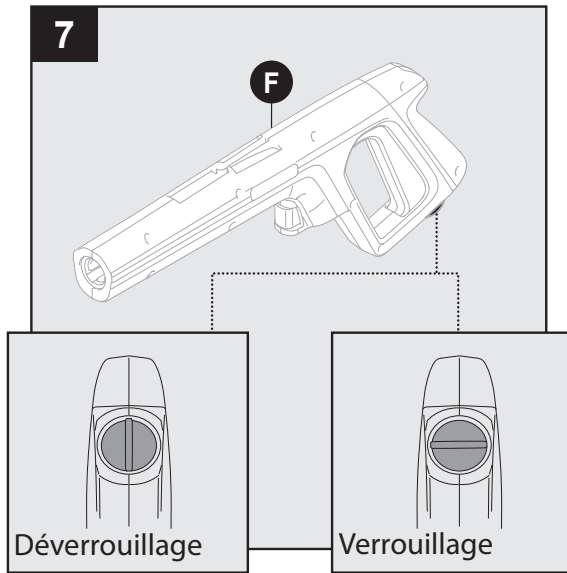
**Remarque :** **NAPPUYEZ PAS** sur le bouton du raccord au moment d'insérer le tuyau dans le pistolet. C'est le bouton de dégagement de tuyau, et le tuyau ne pourra pas se relier.



Pour retirer le tuyau (E) du pistolet pulvérisateur (F), poussez le bouton du raccord vers la gâchette. Le tuyau se séparera du raccord.



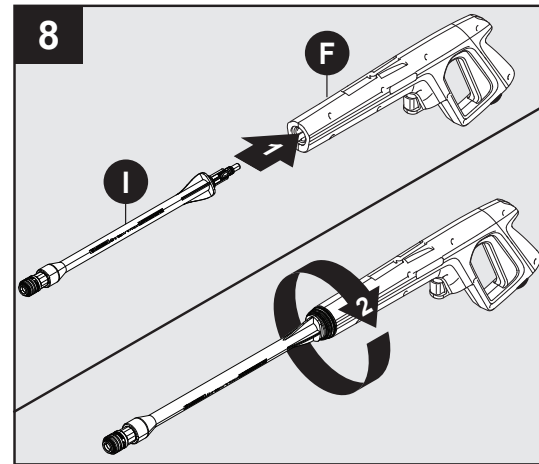
## INSTRUCTIONS D'ASSEMBLAGE



### Pistolet de pulvérisation de blocage (avant l'installation de la Lance)

À verrouillage gâchette du pistolet de pulvérisation (F), pointer le pistolet à vous et tourner à composer à verrou (position "3" et "9"). Squeeze ou appuyer sur la gâchette pour s'assurer qu'il est verrouillé. TOUJOURS laisser en position verrouillée lorsque pas en utilisation. Cela garantit que l'arme est en mode « sans échec » jusqu'à ce qu'il est prêt à l'emploi. Tourner le cadran pour débloquer ("12" et "6" position) à relâcher la gâchette du pistolet de pulvérisation.

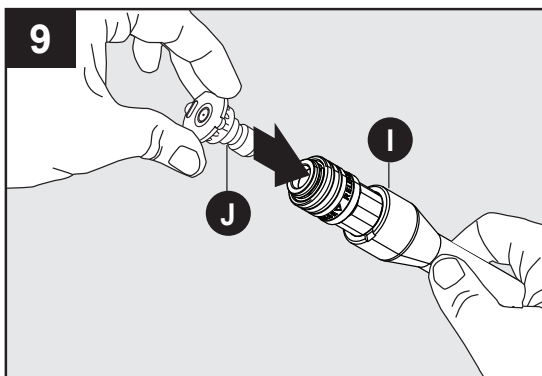
**Remarque :** Le verrou empêche le déclenchement d'être engagé accidentellement.



### Installation de la lance d'arrosage

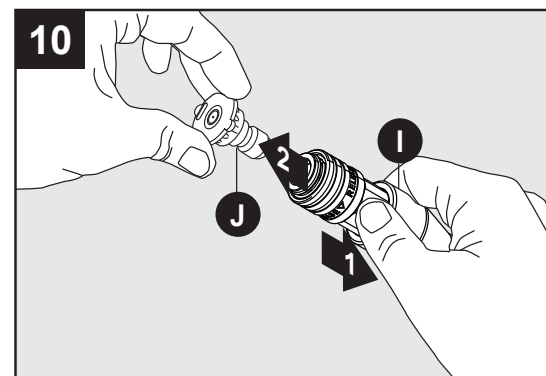
Verrouillez le pistolet pulvérisateur (F), puis assemblez la lance d'arrosage (I) directement dans le pistolet. Insérez la lance d'arrosage dans le pistolet, puis poussez et tournez la lance dans le sens horaire. Tournez la bague située sur la lance dans le sens horaire pour la verrouiller en place. Pour retirer la lance d'arrosage (I), tournez la bague dans le sens antihoraire pour la déverrouiller, puis poussez sur la lance en la tournant dans le sens antihoraire pour la déverrouiller.

**Remarque :** La lance d'arrosage doit être insérée dans le pistolet avant d'utiliser les accessoires et fixée au pistolet pendant l'entreposage. Il est recommandé de garder la lance fixée au pistolet une fois qu'elle est installée.



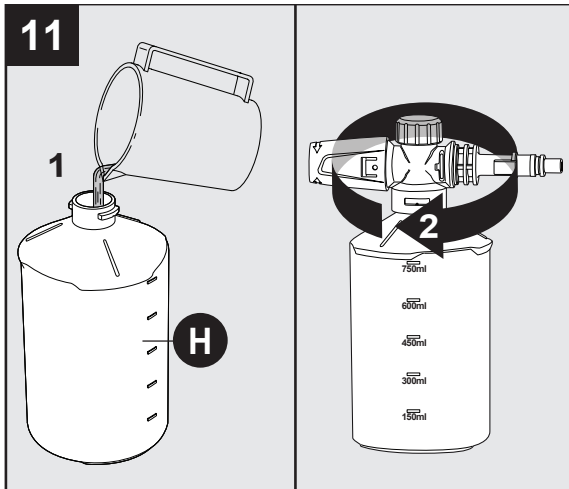
Enfoncez la buse sélectionnée (J) en place à l'extrémité de la lance (I). Un clic se fait entendre indiquant qu'elle est en place.

**Remarque :** Avant de changer la lance ou la buse, enfoncez le bouton de sûreté pour vous assurer qu'elle ne sera pas éjectée avec force pendant l'opération.



Pour retirer la buse (J) tirez la bague de la lance (I) vers l'arrière et sortez la buse.

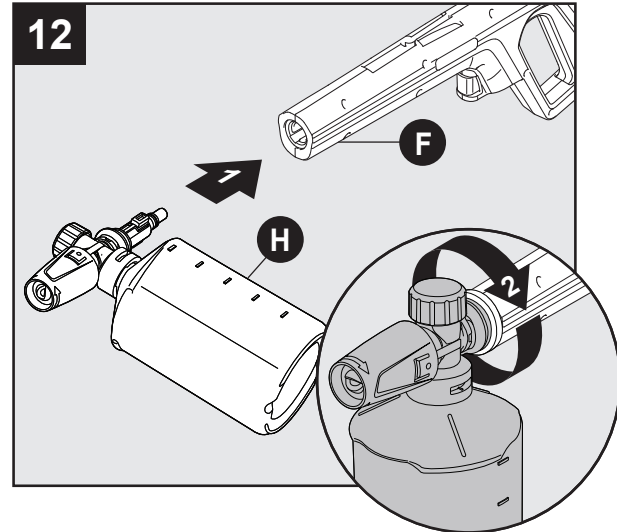
## INSTRUCTIONS D'ASSEMBLAGE



### Installation de la mousse canon

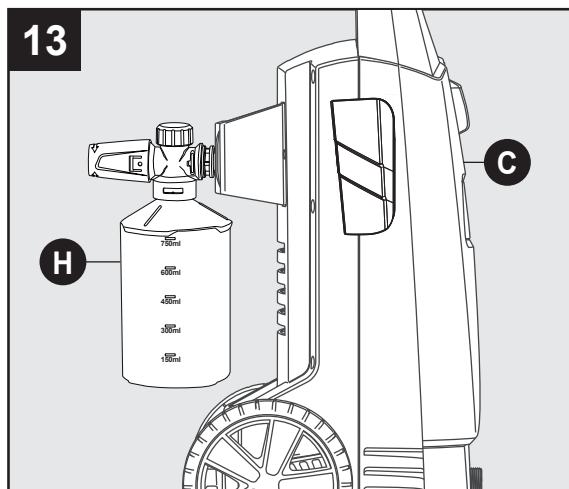
La mousse canon dispose d'un bouchon haute pression muni d'une paille. Si vous ne voyez pas la paille, regardez à l'intérieur de la mousse canon, puis fixez-la au bouchon haute pression. Au moment d'utiliser la mousse canon, remplissez-la avec la quantité d'eau et de détergent indiquée sur la bouteille.

- L'utilisation d'un détergent pour laveuse à pression est recommandée. Reportez-vous à la page 29 pour plus d'information.
- N'utilisez pas un détergent épais ou sous forme de gel. Ceux-ci risquent de boucher la mousse canon et de l'endommager.



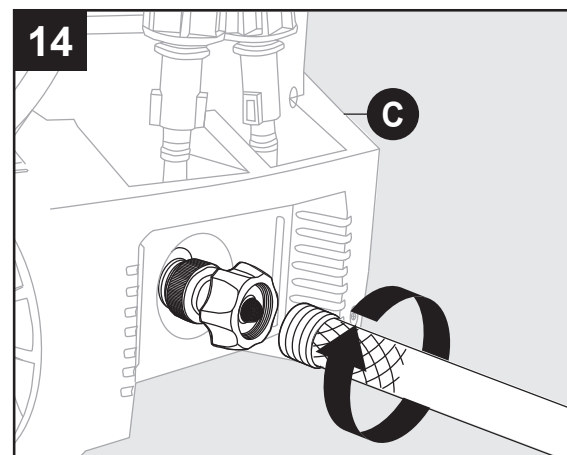
Insérez la canon mousse haute pression (H) dans la Pistolet pulvérisateur (F), puis poussez et tournez dans le sens horaire.

**Remarque:** toujours verrouiller le pistolet de pulvérisation en changeant le canon à mousse pour s'assurer qu'il ne s'éjecte pas avec force.



### Stockage Mousse canon

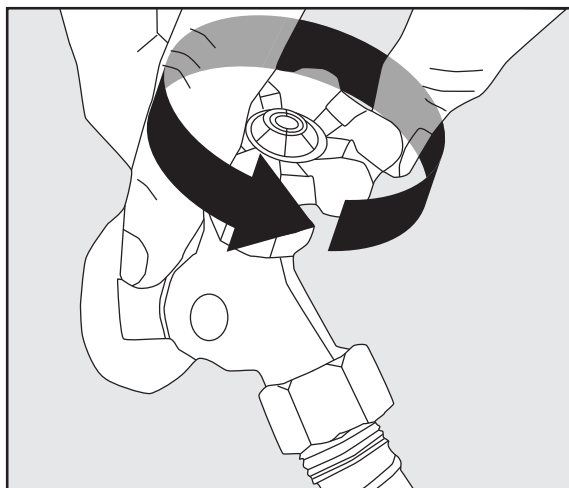
Store la mousse canon (H) à l'arrière de l'unité de la rondelle d'alimentation (C).



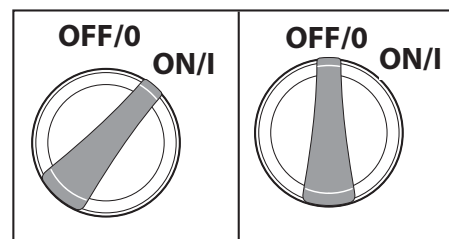
joignez un tuyau d'arrosage à construit au tuyau d'arrosage adaptateur situé à l'arrière de la machine groupe (C). l'eau est connecté à votre machine.

**Remarque :** Débusquer tuyau d'arrosage avant la connexion de tuyau d'arrosage adaptateur.

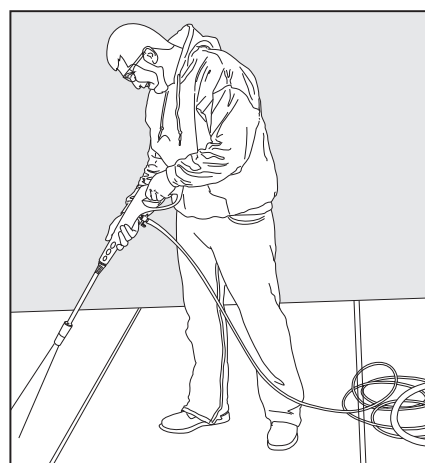
## MODE D'EMPLOI



- Assurez-vous que l'interrupteur « ON/OFF » (marche/arrêt) et à la position « OFF » (arrêt). L'interrupteur est marqué des symboles internationaux « on » et « off ». On (I) Off (O).
- Déroulez complètement le cordon d'alimentation et branchez le disjoncteur de fuite de terre dans une prise 120 V reliée à la terre.
- Ouvrez complètement le robinet d'alimentation en eau.
- Relâchez le bouton de sûreté de la gâchette et remettez-le en place. Pointez le pistolet dans une direction sécuritaire, puis appuyez sur la gâchette du pistolet jusqu'à ce que l'eau s'écoule en continu après avoir purgé l'eau et l'air emprisonnés dans le tuyau d'arrosage. Poussez le verrou de la gâchette pour le verrouiller.
- Placez l'interrupteur à la position « ON » (I). L'appareil se met en marche pendant une à deux secondes et s'arrête. Il s'agit du fonctionnement normal du mode de mise en marche automatique. Appuyez sur la gâchette du pistolet pulvérisateur pour commencer le lavage à pression.



- Enfoncez complètement la gâchette jusqu'à la poignée pour commencer le lavage à pression.
- Relâchez la gâchette pour arrêter le lavage à pression.
- Laissez le moteur s'arrêter complètement avant d'appuyer de nouveau sur la gâchette.
- Le fait de serrer la gâchette trop rapidement nuit au bon fonctionnement de la fonction de démarrage automatique qui pourrait sauter un cycle marche/arrêt. Cette situation pourrait retarder la reprise automatique du moteur. Le fait d'appuyer lentement sur la gâchette permet d'éviter ces symptômes.



- **Faites toujours un essai** sur une petite surface pour éviter tout risque d'endommagement.

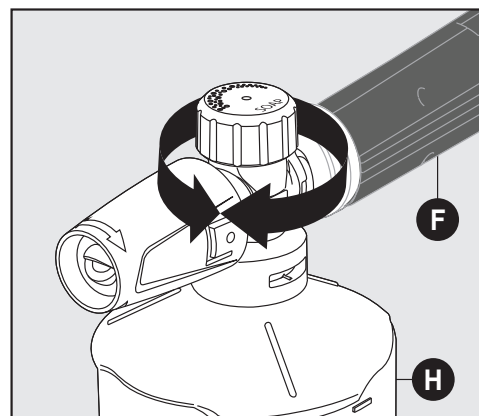
## MODE D'EMPLOI

### Conseilles d'utilisation

- **Remarque:** tester le GFCI avant chaque utilisation:
  1. Branchez le GFCI dans la prise de courant. L'indicateur devrait tourner au vert pour montrer que le cordon a la puissance.
  2. Appuyer sur le bouton test, l'indicateur vert doit s'éteindre pour vérifier que le GFCI coupe l'alimentation du cordon.
  3. Appuyer sur le bouton Reset – l'indicateur vert doit s'allumer pour montrer que le cordon est à nouveau alimenté.
  4. lorsque le GFCI fonctionne correctement, l'indicateur vert s'allume lorsque l'alimentation est appliquée. Si l'indicateur vert s'éteint, il a détecté une fuite électrique et le GFCI a coupé l'alimentation de l'appareil.
- Il est normal d'entendre le moteur tourner par intermittence, même lorsque la gâchette n'est pas enfoncée. C'est la pompe qui s'amorce pour être en mesure de fonctionner lorsqu'on appuie sur la gâchette. Éteignez la laveuse à pression si elle n'a pas été utilisée après cinq minutes.
- Le joint torique du côté baïonnette de la buse doit être nettoyé régulièrement et lubrifié avec de la graisse hydroinsoluble telle que de la gelée de pétrole.
- Gardez le fil de nettoyage de la buse bien propre en vue de l'utiliser pour désincruster la buse. Si vous perdez le fil de nettoyage, un trombone déplié peut aussi faire l'affaire.

### Comment éviter d'endommager les surfaces

- Les dommages aux surfaces en cours de nettoyage se produisent parce que la force d'impact de la pression d'eau est supérieure à la résistance de la surface. Il est possible de pénétrer le bois nu, d'écailler la peinture, etc. On peut modifier la pression de l'appareil en agissant sur les éléments suivants:
  1. L'angle de la surface à nettoyer.
  2. La distance entre la buse et la surface à nettoyer.
- **N'UTILISEZ JAMAIS** un jet d'eau étroit à haute pression sur des surfaces lisses susceptibles de s'endommager.

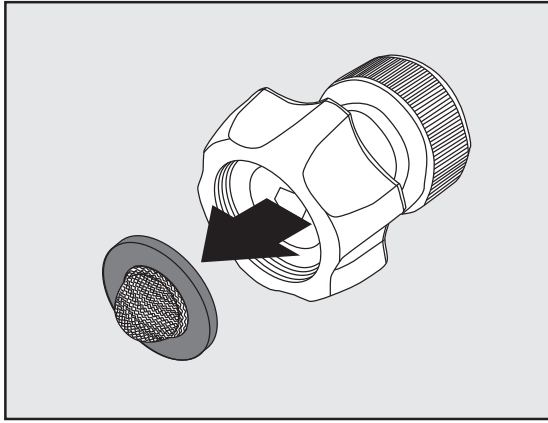


### Réglage des niveaux de savon sur le canon en mousse

Tournez le bouton pour régler le niveau de savon comme indiqué sur le dessus du canon en mousse (H). Tournez vers la concentration plus élevée de bulles pour plus de savon, ou la direction opposée pour moins.

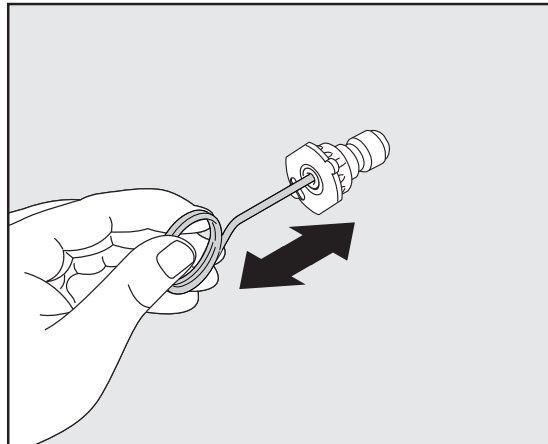
### Détergents

- Utilisez un détergent conçu pour les laveuses à pression. Vous pouvez l'acheter en ligne à l'adresse [www.arblueclean.com](http://www.arblueclean.com). Les quincailleries ou centres de rénovation offrent également des détergents pour laveuse à pression adaptés à vos différents projets de nettoyage. La solution de nettoyage doit présenter la même fluidité que l'eau pour prévenir toute obstruction de la buse et de la bouteille de détergent.
- Ce système applique le détergent à basse pression. La puissance nettoyante des détergents est accrue lorsque la pression est faible, car la saleté et la crasse ont plus de temps pour se dissoudre. La combinaison de la basse pression et de l'action chimique est très efficace et peut être plus efficace que le frottement si elle est correctement appliquée. **VAPORISEZ TOUJOURS** le détergent sur une surface sèche. **NE MOUILLEZ PAS** la zone à nettoyer. Le fait de mouiller la surface dilue le détergent et réduit sa capacité de nettoyage. **NE LAISSEZ PAS** le détergent sécher sur la surface. Sur les surfaces verticales, appliquez le détergent à partir de la base vers le haut pour empêcher la formation de dégoulinades dans la saleté. Pour la même raison, rincez le détergent avec la laveuse à pression en partant de la base.
- Si une tache est particulièrement tenace, vous devrez peut-être appliquer davantage de détergent et utiliser une brosse à soie douce pour frotter la tache. Lavez de nouveau pour compléter le travail.



### Adaptateur de tuyau de jardin de nettoyage

- L'écran à l'intérieur de l'adaptateur doit être nettoyé périodiquement. Retirez-le en faisant glisser un pouce sur l'écran avec suffisamment de pression pour tirer l'écran et la laveuse. Rincez-le avec de l'eau propre, puis remplacez-le dans l'adaptateur.



### Nettoyage des buses

- Une buse obstruée ou partiellement obstruée peut provoquer une importante réduction de la pression d'eau à la sortie ou provoquer des pulsations du jet sortant de l'appareil.
- Éteignez l'appareil.
- Coupez l'arrivée d'eau à l'appareil.
- Libérez la pression emprisonnée dans le tuyau. Pour ce faire, appuyez sur le déclencheur 2 ou 3 fois, puis verrouillez le pistolet pulvérisateur en poussant le bouton de blocage de la gauche vers la droite.
- Retirez la rallonge de la lance d'arrosage.
- Sortez la lance à buse à jet variable. Tournez la buse pour rétrécir le jet qui ouvre les lames du jet en éventail.
- À l'aide du nettoyeur de buse (ou d'un trombone déplié), insérez le fil dans l'orifice de la buse et déplacez-le d'avant en arrière plusieurs fois jusqu'à

ce que les débris soient délogés.

- Tapez plusieurs fois l'extrémité du raccord rapide de la lance sur une surface dure.
- Faites passer l'eau de rinçage dans la buse à l'aide du tuyau d'arrosage. Utilisez la pression la plus élevée possible (soit avec la buse standard ou avec votre pouce sur la buse pour créer une pression d'eau).

### Entreposage

- Lorsque le Rondelle à pression est terminé, éteignez l'interrupteur qui se trouve à l'avant de l'appareil. Débranchez le cordon d'alimentation de la prise. Coupez l'arrivée d'eau. Tirez sur la gâchette du pistolet pulvérisateur 2 ou 3 fois pour vider l'excès d'eau et libérer toute pression résiduelle. Débranchez l'adaptateur du tuyau d'arrosage de l'embout d'admission d'eau. **NE LAISSEZ PAS** la laveuse à pression fonctionner si l'alimentation en eau n'est pas ouverte.
- Retirez le flexible à haute pression du pistolet pulvérisateur.
- Retirez la lance du pistolet. Placez le pistolet dans le support latéral. Placez les lances dans l'un ou l'autre des réceptacles qui se trouvent à l'arrière de l'appareil.
- Assurez-vous de vider le détergent en excès dans la bouteille. Le produit chimique résiduel collera au récipient qui pourrait devenir contaminé, et peut causer l'injecteur de détergent pour obstruer et ne pas fonctionner correctement. Rincez la bouteille et la buse à l'eau claire pour prévenir toute obstruction.
- Accrochez le cordon d'alimentation autour du crochet à cordon situé du côté droit de l'appareil lorsque vous y faites face.
- Le tuyau de pression est stocké sur le crochet de tuyau situé à l'arrière de la poignée.
- **NE RANGEZ PAS LA RONDELLE D'ALIMENTATION OÙ ELLE EST EXPOSÉE AUX TEMPÉRATURES DE CONGÉLATION, SAUF SI VOUS UTILISEZ UN ANTIGEL CONÇU POUR LES POMPES.** Entreposer la rondelle d'alimentation à l'intérieur pour éviter que l'eau de l'appareil ne s'étende dans des conditions de congélation. Lorsque l'eau gèle et se dilate, votre laveuse électrique sera endommagée et deviendra inutilisable. Ou, si vous entreposez à l'extérieur, il est recommandé d'utiliser l'économiseur de pompe (non inclus) pour protéger les pompes.

## PROTECTEUR DE POMPE

**Le protecteur de pompe** est un produit qui protège et prolonge la vie de la pompe. Les pièces internes de la pompe resteront ainsi lubrifiées et protégées du gel lors de leur entreposage, peu importe le climat. Il aide également à protéger l'appareil de la corrosion interne. Le numéro de pièce Blue Clean est le: PW64511 (bouteille 16 oz). Commandez en ligne à l'adresse [www.arblueclean.com](http://www.arblueclean.com)

### Instructions relatives au protecteur de pompe

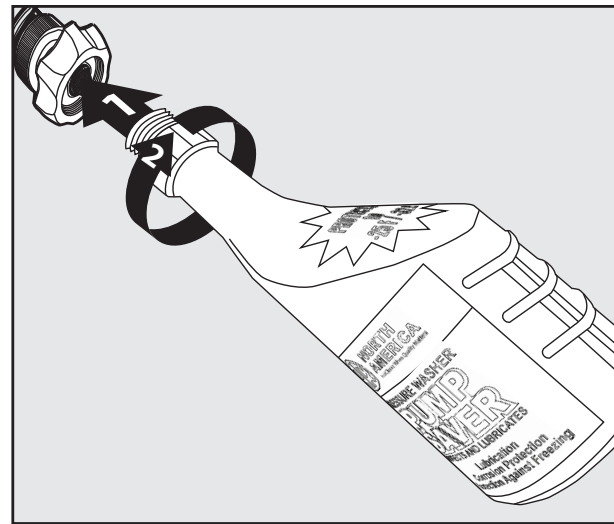
Suivez les instructions d'entreposage de la laveuse à pression. Pour prévenir les taches, protégez la surface qui se trouve sous la laveuse à pression de tout excès de liquide. Portez une protection oculaire lorsque vous utilisez ce produit.

Mettez l'unité hors tension et débrancher le pistolet avant d'ajouter protecteur de pompe. Dévisser fileté haut de la bouteille à retirer l'obturateur et le rattacher fileté haut en bouteille. Enlevez noir capuchon du flacon.

- 1) haut Place de la bouteille de veille pompe sur le jardin adaptateur.
- 2) fixer flacon de veille pompe en tournant dans un sens horaire direction.
- 3) allumer le moniteur.

- 4) Presser la bouteille pour l'aider dans la pompe.
- 5) Éteignez l'appareil lorsque l'économiseur de la pompe quitte la sortie d'eau de la machine.

**Remarque:** Les instructions qui s'affichent sur la bouteille du protecteur de pompe sont génériques et non spécifiques au modèle.



## DÉPANNAGE

Pour toute question concernant le produit, communiquez avec le service à la clientèle au 1-866-235-5112.

PROBLÈME	MESURE CORRECTRICE
L'appareil ne se met pas en marche.	<ol style="list-style-type: none"> <li>1. Le disjoncteur de fuite de terre à l'extrémité du cordon d'alimentation doit être branché directement dans une prise.</li> <li>2. N'utilisez pas une rallonge électrique.</li> <li>3. Une fois le disjoncteur de fuite de terre branché, vérifiez que l'appareil est sous tension.</li> </ol> <p><b>Remarque :</b> Lorsque l'interrupteur d'alimentation est allumé, la laveuse à pression se met en marche d'elle-même pendant 1 à 2 secondes, puis s'éteint. C'est normal.</p>
Je n'arrive pas à connecter le tuyau à haute pression (HP) au pistolet pulvérisateur ou bien il ne reste pas connecté. Est-ce que le pistolet pulvérisateur est défectueux?	<ol style="list-style-type: none"> <li>1. Dans la plupart des cas, le pistolet pulvérisateur n'est pas en cause. Le problème se trouve plutôt au niveau du manchon de caoutchouc qui couvre le raccord d'extrémité du tuyau à haute pression. Il a probablement glissé en direction de l'embout métallique. Pour corriger : remuez ou tirez le manchon de caoutchouc vers le bas jusqu'à ce que l'embout soit bien visible, plus de 1/8 po du raccord métallique sous l'embout. Essayez maintenant d'insérer l'embout de tuyau dans le pistolet pulvérisateur. Vous devriez entendre un clic lorsqu'il s'enclenche et il ne se déclenchera pas jusqu'à ce que le tuyau soit libéré en poussant le levier qui est sur le côté du pistolet. Vous pouvez découper l'extrémité du manchon à l'aide d'un couteau pointu si vous n'arrivez pas à déplacer le manchon vers le bas. Attention de ne pas couper et de ne pas percer le tuyau.</li> <li>2. Ne poussez pas le bouton de dégagement lors de la connexion du flexible à haute pression.</li> </ol>
L'appareil fonctionne mais l'eau ne s'écoule pas.	<ol style="list-style-type: none"> <li>1. la puissance ne doit pas être mise en marche tant que l'eau ne passe pas par le pistolet pulvérisateur. Cela va endommager le moteur.</li> <li>2. vérifier la source d'eau.</li> <li>3. éjecter la buse de la lance pour déterminer si le sabot provient de la buse (si la buse est obstruée, voir les instructions de nettoyage de la buse sous «buses de nettoyage»).</li> <li>4. Enlevez la lance et vaporisez-la à l'extérieur du pistolet pulvérisateur. Cela indiquera si le problème est avec la lance.</li> <li>5. Vérifiez l'adaptateur de tuyau de jardin pour une connexion lâche et le filtre pour les débris.</li> </ol>
Pourquoi l'eau fuit-elle lorsque le tuyau à haute pression se connecte au pistolet pulvérisateur?	<ol style="list-style-type: none"> <li>1. Assurez-vous que l'extrémité de l'embout de métal du tuyau à haute pression possède un joint torique. Si ce n'est pas le cas, l'eau fuira entre le tuyau et le pistolet pulvérisateur. Le kit de remplacement de joint torique (L) est inclus avec l'achat. D'autres kits toriques sont disponibles en ligne à <a href="http://www.arblueclean.com">www.arblueclean.com</a> ou appelez le service à la clientèle au 1-866-235-5112 pour passer une commande.</li> </ol>
Je n'arrive pas à retirer la lance du pistolet pulvérisateur. Que dois-je faire?	<ol style="list-style-type: none"> <li>1. Les lances et les bouteilles de détergent sont fixées et retirées du pistolet de la même façon. Insérez le raccord rapide à l'extrémité de la lance ou de la bouteille de détergent dans la lance. Enfoncez la lance dans le pistolet (environ 1/8 po) et tournez dans le sens horaire. La lance se verrouillera en place. Retirez la lance en inversant la procédure. Enfoncez la lance dans le pistolet et tournez dans le sens anti-horaire. La lance glissera vers l'extérieur.</li> <li>2. Ou placez la lance et le pistolet en position verticale avec la buse au sol. Poussez l'ensemble vers le sol pour desserrer le raccord, puis suivez la procédure de retrait. Vous pouvez également vaporiser de l'eau savonneuse ou du lubrifiant au point de raccordement de la lance et du pistolet.</li> </ol>

## DÉPANNAGE

PROBLÈME	MESURE CORRECTRICE
La laveuse à pression se met en marche pendant deux secondes, s'arrête et ne se remet pas en marche. Est-ce que mon appareil est défectueux?	<ol style="list-style-type: none"><li>1. Il semble que votre laveuse à pression fonctionne parfaitement bien. Lorsque l'eau est raccordée, que les accessoires sont correctement assemblés et que l'interrupteur est à la position marche, la laveuse à pression se met en marche pendant 1 à 2 secondes pour amorcer la pompe. Elle s'éteint ensuite automatiquement et attend que la gâchette du pistolet pulvérisateur soit enfoncée. Une fois la gâchette enfoncée, l'eau commence à s'écouler à travers la pompe. Le capteur d'eau de la pompe détecte l'eau qui passe et met automatiquement en marche la laveuse à pression.</li><li>2. Éteignez l'interrupteur, puis maintenez la gâchette du pulvérisateur enfoncée afin d'avoir un jet d'eau uniforme. Pendant que vous maintenez la gâchette en position ouverte pulvérisateur, tournez en même temps l'interrupteur d'alimentation pour le mettre en marche.</li></ol>

## GARANTIE LIMITÉE

La garantie de ce produit est couverte par A.R.North America.

Ce produit a une garantie de 2 (deux) ans. S'il vous plaît lire attentivement ce qui suit pour comprendre ce que chaque garantie implique:

Ce produit est sous garantie pour le consommateur au détail original contre les défauts de matériaux et de fabrication pour une période d'un (1) an et est un «pare-chocs à pare-chocs» complète garantie, y compris le pistolet, le flexible haute pression et tous les accessoires de la date d'achat. La garantie est non transférable ni cessible. Cette garantie couvre les pièces de rechange. Cette limite un an de garantie applicable uniquement aux produits utilisés dans les applications grand public et est nul dans la location ou toute autre application commerciale. Un soin raisonnable doit être utilisé en conformité avec les instructions d'exploitation et de maintenance en guide de démarrage manuel et rapide du propriétaire. Le non-respect de ces instructions annulera cette garantie. Cette garantie vous donne des droits légaux spécifiques et vous pouvez également avoir d'autres droits qui varient d'un État à État.

La deuxième année de la garantie ne couvre que les défauts de fabrication.

### Processus de garantie

Conservez votre reçu d'achat original en cas de réclamation de garantie.

Si la laveuse à pression présente un problème, communiquez avec le service à la clientèle:

- Composez le numéro sans frais 1-866-235-5112. Le service à la clientèle est disponible du lundi au vendredi de 8 h à 17 h heure normale du centre (HNC). Un représentant du service à la clientèle travaillera avec vous pour résoudre le problème.

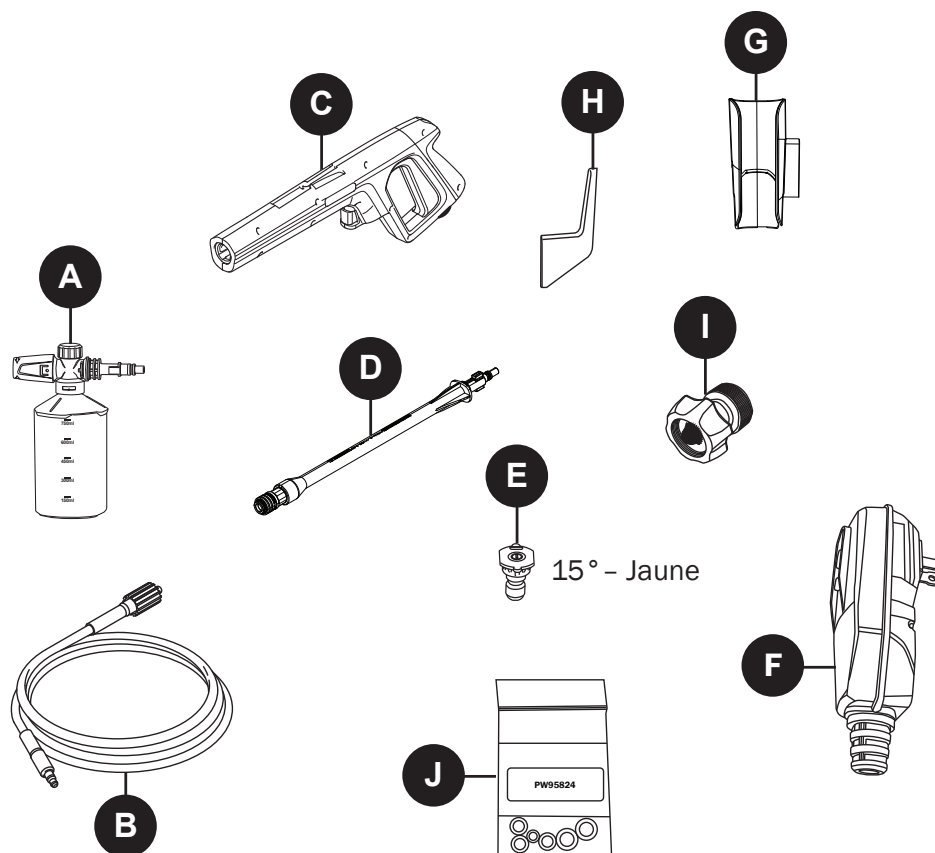
Si la laveuse à pression doit être retournée en vue d'une réparation, les coûts d'expédition sont à la charge du client. Un **numéro d'autorisation de retour de marchandise** sera émis pour le retour. Sur réception de la laveuse à pression, la compagnie réparera ou remplacera l'appareil. Nous vous retournerons l'appareil sans frais.

Veuillez prendre note : Les laveuses à pression expédiées à la compagnie **sans numéro RMA ne seront PAS acceptées** et sera elles seront retournées au frais de l'expéditeur.



## LISTE DES PIÈCES DE RECHANGE

Pour les pièces de rechange, communiquez avec le service à la clientèle au numéro 1-866-235-5112, 8 h à 17 h, HNC, du lundi au vendredi ou commandez en ligne à l'adresse [www.arblueclean.com](http://www.arblueclean.com)



PIÈCE	DESCRIPTION	NO DE PIÈCE
A	Canon mousse (25 oz)	PW4620275
B	Tuyau à haute pression	PW4222400
C	Pistolet pulvérisateur	PW4381488
D	Lance d'extension	PW4222470
E	15° Buses à raccord rapide	PW4222590
F	Disjoncteur de fuite de terre	PW4221160

PIÈCE	DESCRIPTION	NO DE PIÈCE
G	Étui à pistolet	PW4222480
H	Crochet pour cordon d'alimentation	PW4220590
I	Adaptateur de tuyau d'arrosage	PW4221570
J	Ensemble de joints toriques	PW95824

Imprimé en Chine

# 1600 PSI

## Lavadora a presión eléctrica



BLUE  
CLEAN®



## INSTRUCCIONES DE MONTAJE, CUIDADO Y USO Modelo BC111HS

LEA CUIDADOSAMENTE

**IMPORTANTE: GUARDE ESTAS  
INSTRUCCIONES Y ADJUNTE EL RECIBO AL  
MANUAL PARA FUTURAS REFERENCIAS.**

**! PRECAUCIÓN:** Este producto puede exponerte a químicos tales como Plomo, DEHP, DINP los cuales según el Estado de California pueden causar cáncer y/o problemas al nacimiento. Para más información ir a [www.P65Warnings.ca.gov](http://www.P65Warnings.ca.gov)

95497-DK

### ¿Preguntas, problemas, piezas faltantes?

Antes de regresar a tu minorista, llame al (1-866-235-5112) o correo electrónico ([info@arnorthamerica.com](mailto:info@arnorthamerica.com)) a nuestro Departamento de servicio al cliente. Están disponibles a partir de las 8:00 a.m. - 5:00 p.m., CST, de lunes a viernes. [www.arblueclean.com](http://www.arblueclean.com)

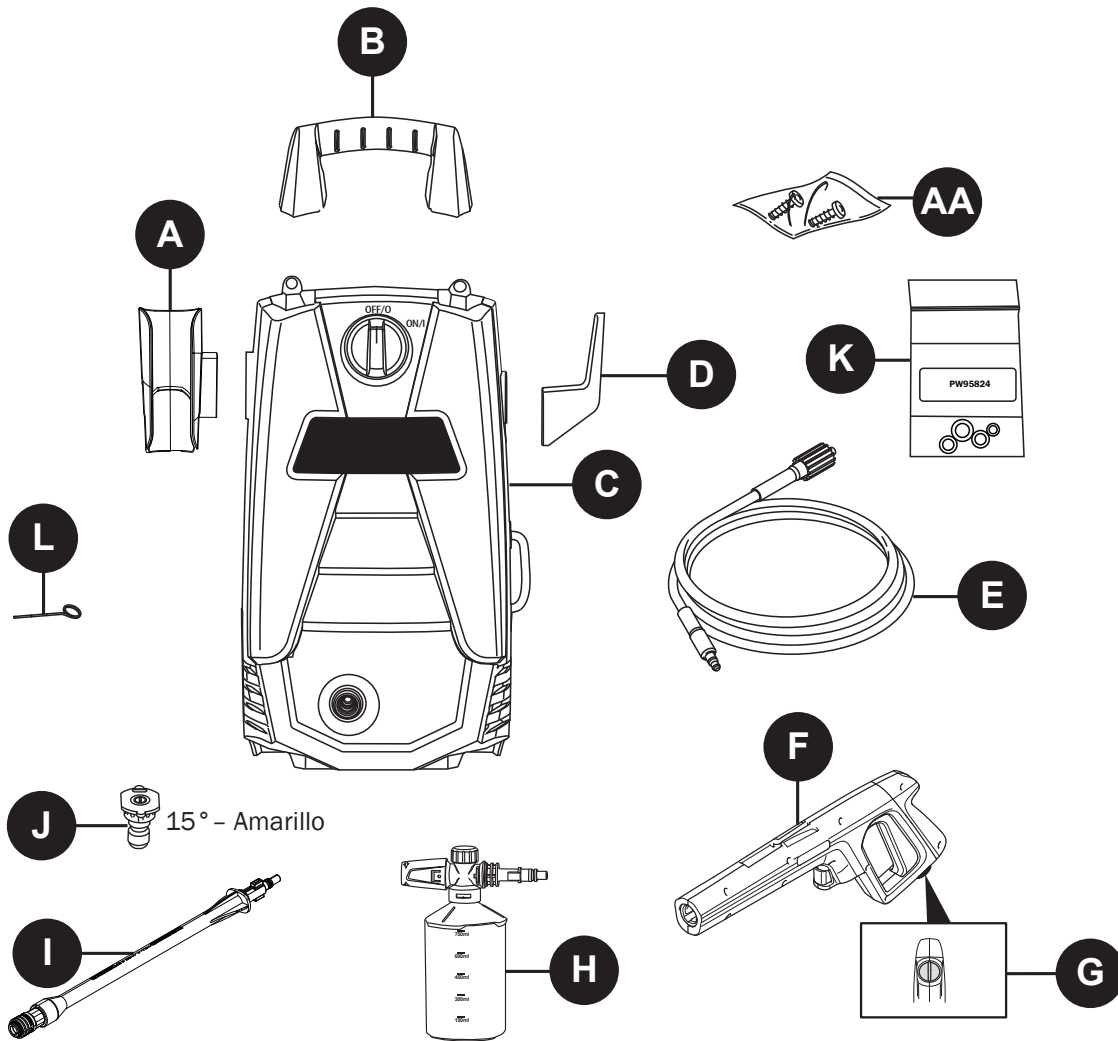
## TABLA DE CONTENIDO

Especificaciones del producto.....	35
Contenido del paquete .....	36
Aditamentos .....	36
Información de seguridad.....	37
Instrucciones de montaje.....	39
Instrucciones de operación .....	43
Cuidado y mantenimiento .....	45
Protector de la bomba .....	46
Solución de problemas .....	47
Garantía limitada .....	48
Lista de piezas de repuesto .....	49

## ESPECIFICACIONES DEL PRODUCTO

ESPECIFICACIONES									
Modelo	Máx. PSI (kg/cm <sup>2</sup> ) (lb/pulgada <sup>2</sup> )	Clasificada PSI (kg/cm <sup>2</sup> ) (lb/pulgada <sup>2</sup> )	Máx. GPM (Litro/min) (gal/por min)	Clasificada GPM (Litro/min) (gal/por min)	Agua fría	Voltios	Frecuencia (Hz)	Amperios	Peso (kg) (lb)
<b>BC111HS</b>	4,682 (1,600)	3,394 (1,160)	6.4 (1.7)	4.5 (1.2)	✓	120	60	12.5	6.6 (14.6)

## CONTENIDO DEL PAQUETE



PIEZA	DESCRIPCIÓN	CANTIDAD
A	Funda de la pistola rociadora	1
B	Manija	1
C	Unidad de la lavadora a presión	1
D	Gancho del cable	1
E	Manguera de presión alta	1
F	Pistola rociadora	1
G	Bloqueo/desbloqueo de la pistola rociadora	1

PIEZA	DESCRIPCIÓN	CANTIDAD
H	Cañón de espuma	1
I	Lanza de extensión	1
J	15° Boquillas de conexión rápida	1
K	Kit de empaque de anillo	1
L	Alambre de limpieza de boquilla	1
AA	Tornillos	2

## ADITAMENTOS

AA



**Nota:** Los tornillos se encuentran en el paquete del manual.

Tornillos  
Cantidad 2

## INFORMACIÓN DE SEGURIDAD

Por favor lea y entienda todo este manual antes de intentar ensamblar y operar el producto.

Este manual contiene información relacionada con la PROTECCIÓN DE LA SEGURIDAD PERSONAL y la PREVENCIÓN DE PROBLEMAS DEL EQUIPO. Es muy importante que lea atentamente este manual y que lo comprenda completamente antes de utilizar el producto. Los símbolos que se describen a continuación se utilizan para indicar esta información.



### PELIGRO

Peligro potencial que **puede provocar lesiones graves o incluso la muerte.**



### ADVERTENCIA

Peligro que **podría provocar lesiones graves o incluso la muerte.**



### PRECAUCIÓN

Peligro potencial que **puede provocar lesiones moderadas o daños al equipo.**

**Nota:** La palabra “Nota” se utiliza para informar al lector de algo que el operador debe saber acerca de la herramienta.



### ADVERTENCIA

Para reducir el riesgo de lesiones, el usuario debe leer y comprender las instrucciones antes de utilizar este producto.

1. Advertencia: al utilizar este producto, siempre se deben seguir las precauciones básicas, incluido lo siguiente:
2. Lea todas las instrucciones antes de usar el producto.
3. Obtenga el conocimiento de cómo detener el producto y purgar la presión rápidamente. Esté completamente familiarizado con los controles.
4. Mantenga el área de operaciones sin personas.
5. No se estire demasiado ni se pare sobre un soporte inestable. Mantenga una buena posición y el equilibrio en todo momento.
6. Siga las instrucciones de mantenimiento como se especifica en el manual.
7. Para evitar lesiones personales o daños a la propiedad y para maximizar su experiencia con la lavadora a presión, siga cuidadosamente todos los consejos de seguridad, instrucciones, advertencias y salvaguardias, y familiarícese con todos los controles.
8. Esta lavadora a presión cumple con las normas de la Asociación de Normas Canadiense (CSA) y otras normas de seguridad y del consumidor. **NO** modifique o

- reconstruya ninguna pieza de la lavadora a presión.
9. **NO** utilice la lavadora a presión cuando se encuentre bajo la influencia del alcohol o de drogas. Utilice esta herramienta a presión cuidadosamente y solo cuando esté atento.
10. Cuide su equilibrio y postura al utilizar la lavadora a presión. Las superficies se vuelven resbaladizas al mojarse y son extraordinariamente resbaladizas al usar un detergente o limpiador.
11. **NUNCA** opere la lavadora a presión descalzo, con sandalias o zapatos abiertos.
12. Cuando utilice la lavadora a presión cerca de niños, asegúrese de que estén siendo supervisados de cerca por un adulto para evitar lesiones. **NUNCA** permita que un niño utilice la lavadora a presión.
13. Mantenga los dedos, las manos, los pies y cualquier parte del cuerpo a distancia de la corriente de agua de alta presión. El rociador de alta potencia puede ocasionar ceguera o hacer estallar la piel. Puede romper una ventana si se encuentra demasiado cerca al accionar el gatillo de la pistola rociadora.
14. **SIEMPRE** utilice gafas de protección para evitar lesiones a los ojos al operar la lavadora a presión.
15. Para evitar accidentes o lesiones, **SIEMPRE** use el bloqueo de seguridad del gatillo cuando no utilice la lavadora a presión, incluso si la rociadura se detiene por un momento.
16. La lavadora a presión está equipada con un interruptor de circuito por falla a tierra (GFCI), que reduce en gran medida el riesgo de una descarga eléctrica mientras la unidad está en uso. Si es necesario reemplazar el conector o el cable, utilice solo piezas de repuesto idénticas.
17. Apunte la pistola rociadora en una dirección segura al iniciar una sesión de lavado a presión.
18. **ADVERTENCIA-NUNCA** rocíe directamente a una persona, animal, dispositivo eléctrico ni rocíe la propia unidad.
19. Cuando use la pistola de rociadora, sostenga la pistola rociadora y la lanza con las dos manos cuando tire del gatillo (una mano para tirar el gatillo y la otra para estabilizar el ensamble de la pistola) hasta que se acostumbre al “retroceso” de la pistola rociadora.
20. Al presionar el interruptor de alimentación para apagar la lavadora a presión, la presión del agua puede quedarse en el sistema. Para descargar la presión, apunte la pistola rociadora en una dirección segura y tire el gatillo.
21. **NUNCA** rocíe líquidos inflamables.
22. **NUNCA** use la lavadora a presión en áreas que contengan polvo, líquidos o vapores combustibles.
23. Evite el contacto de la manguera de presión con objetos afilados e inspeccione la manguera con regularidad. Reemplace si se daña. Debido a la alta presión implicada, no se puede reparar si se corta o daña.

## INFORMACIÓN DE SEGURIDAD

24. Solo use el detergente formulado específicamente para lavadoras a presión y siga las instrucciones en la etiqueta del detergente.
25. Proteja los ojos, los pulmones y la piel de la exposición al detergente.
26. ADVERTENCIA-Si se hace la conexión a un sistema de agua potable, el sistema debe estar protegido contra el reflujo.



### PRECAUCIÓN

Almacene la lavadora a presión bajo techo para evitar que el agua en la unidad se expanda en condiciones muy frías. Al congelarse y expandirse el agua, la lavadora a presión se dañará y dejará de funcionar. O bien, si se almacena al aire libre, se recomienda que utilice el protector de la bomba (no incluido) para proteger las bombas.

27. **NUNCA** use agua caliente con la lavadora a presión. Esto sobrecalentará y dañará la bomba de presión alta.
28. **NUNCA** abandone la lavadora a presión mientras está encendida "ON".
29. **SIEMPRE** abra el suministro de agua "ON" antes de conectar la alimentación de la lavadora a presión en "ON". Poner en funcionamiento la bomba en seco

- ocasionará daños en los componentes internos.
30. **NUNCA** utilice para la lavadora a presión un suministro de agua que exceda los 150 PSI máximo.
31. **NUNCA** desconecte la manguera de presión alta de la lavadora a presión mientras se presuriza el sistema.
32. **NUNCA** enganche de manera permanente los dispositivos del gatillo de la pistola rociadora.
33. **NUNCA** opere la lavadora a presión a menos que todos los componentes estén conectados de manera correcta y segura.
34. **NUNCA** permita que la bomba de la lavadora a presión funcione por más de un minuto después de cerrar el suministro de agua. Esto puede ocasionar que el motor y la bomba se sobrecalienten y fallen.
35. **NUNCA** utilice lanzas ni otras piezas que no sean compatibles con esta unidad AR Blue Clean específica.
36. **NUNCA** utilice un cable de alimentación de extensión debido a que este anula la efectividad del GFCI e incrementa la posibilidad de electrocutar al operador.
37. **NUNCA** rocíe las tomas de corriente con la lavadora a presión.
38. Inspeccione el cable de alimentación antes de utilizarlo. **NO** lo utilice si está dañado.
39. Manténgase alerta-observe lo que está haciendo.

## CONSERVE ESTAS INSTRUCCIONES PARA FUTURAS CONSULTAS.

### Servicio de mantenimiento de un dispositivo de doble aislamiento

Protección del interruptor de circuito por falla a tierra:

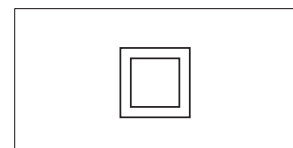
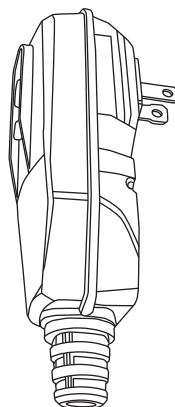
Esta lavadora a presión está provista de un interruptor de circuito por falla a tierra (GFCI) incorporado en los conectores del cable de suministro de alimentación. Este dispositivo proporciona protección adicional contra el riesgo de descarga eléctrica. Si es necesario reemplazar el conector o el cable, utilice solo piezas de repuesto idénticas que incluyan protección de GFCI.

En un producto de aislamiento doble, se proporcionan dos sistemas de aislamiento en lugar de la conexión a tierra. Para un producto de aislamiento doble no se proporciona medios de conexión a tierra, ni se deben agregar medios de conexión a tierra al producto.

El mantenimiento de un producto de doble aislamiento requiere cuidado extremo y conocimiento del sistema, y solo lo debe realizar personal de servicio cualificado.

Las piezas de repuesto para un producto de doble aislamiento deben ser idénticas a las piezas originales.

Un producto de doble aislamiento está marcado con las palabras "Aislamiento doble" o "Doble aislamiento". El producto también podría estar marcado con el símbolo que se muestra aquí.



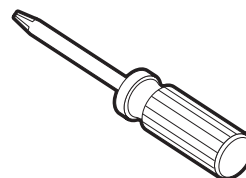
Producto de doble aislamiento

## PREPARACIÓN

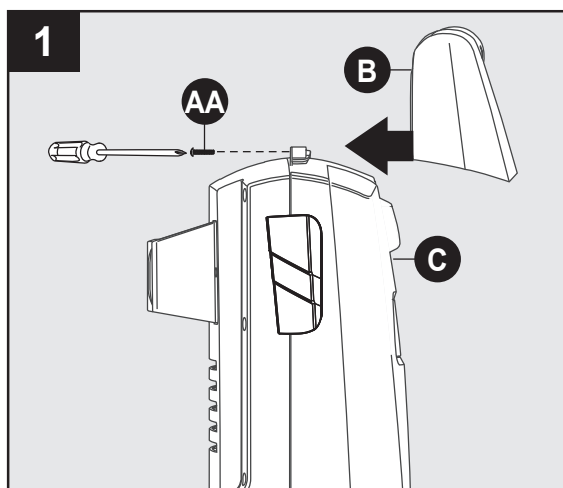
Antes de comenzar el montaje del producto, asegúrese de que todas las piezas estén presentes. Compare las piezas con la lista de contenido del paquete y la lista de aditamentos. Si alguna pieza falta o está dañada, **NO** intente montar el producto. Por favor llame al servicio al cliente al 1-866-235-5112. Las piezas de repuesto se enviarán sin cargo.

Tiempo de montaje estimado: 5 minutos.

Herramientas requeridas para el montaje (no incluidas):  
Destornillador Phillips.



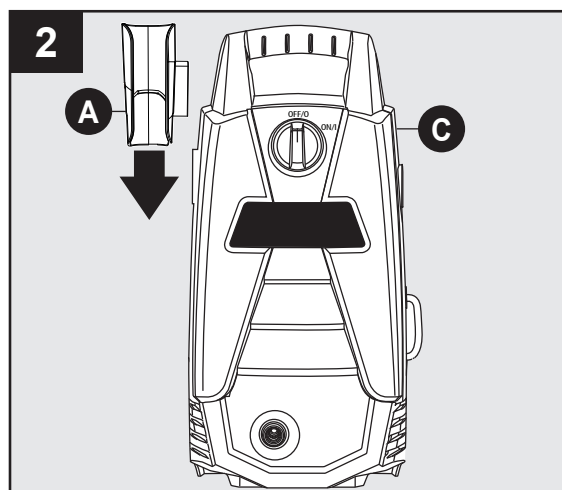
## INSTRUCCIONES DE MONTAJE



### Montaje de la unidad de alimentación

Instale la manija (B) a la unidad de la lavadora a presión (C). Fije con los tornillos (AA).

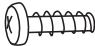
**Nota: NO** utilice un destornillador eléctrico. Cuando el tornillo esté completamente apretado, de un pequeño giro final hacia la derecha del destornillador. **NO** apriete demasiado.



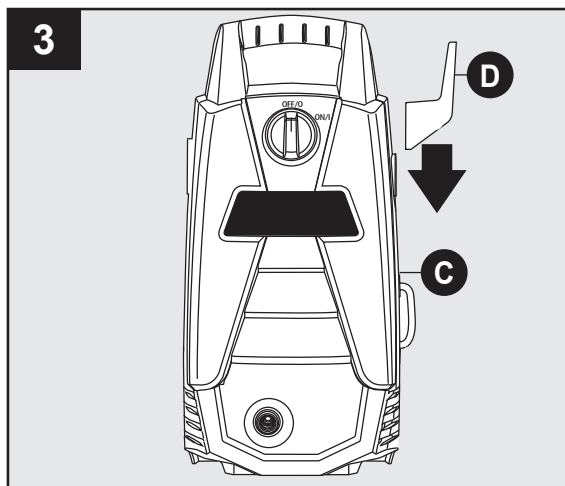
Deslice la funda de la pistola rociadora (A) en el lado izquierdo, estando frente a la unidad de la lavadora a presión (C), tal como se muestra.

**Nota:** Este paso no requiere ningún tornillo.

### Aditamentos que se utilizan:

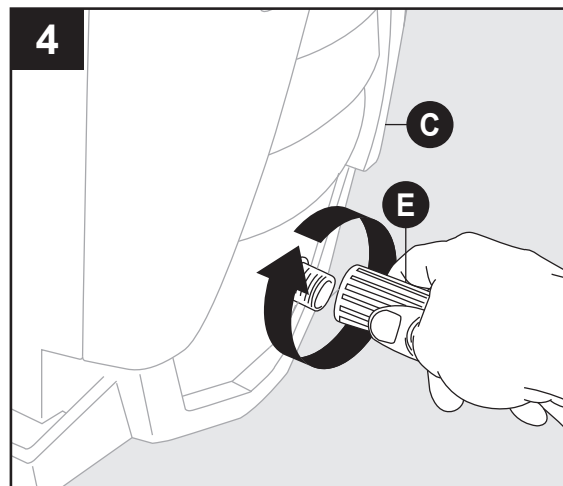
**AA** Tornillos  x 2

## INSTRUCCIONES DE MONTAJE



Deslice la funda del gancho del cable (D) en el lado derecho, estando frente, a la unidad de la lavadora a presión (C), tal como se muestra.

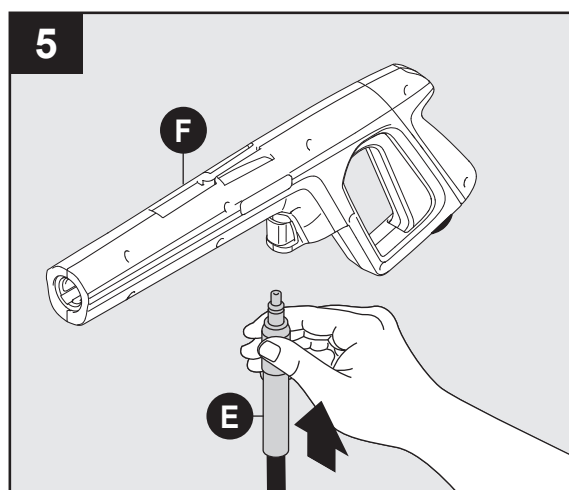
**Nota:** Este paso no requiere ningún tornillo.



### Montaje de la manguera de presión alta

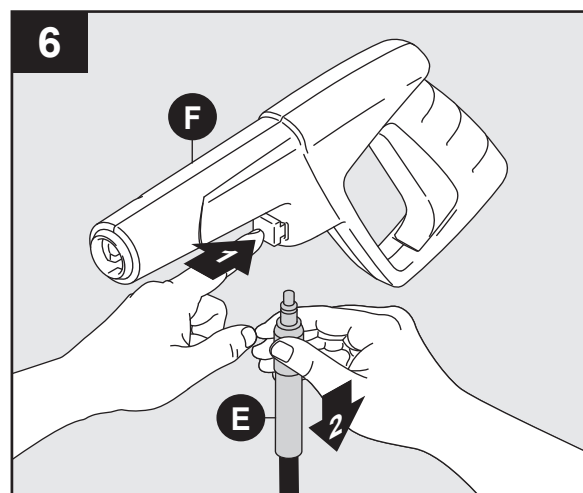
Atornille la manguera de presión alta (E) hacia la derecha en la parte inferior delantera de la unidad de la lavadora a presión (C). Tire hacia atrás el collarín e inserte la varilla del empaque de anillo en la salida de agua lo suficiente para que el collarín se pueda enroscar en la salida hasta que esté apretado con la mano. Si le da menos de seis vueltas no ha apretado apropiadamente el conector de la manguera de presión alta. Es más fácil colocar la lavadora a presión frente a usted para asegurarse de que las roscas inician correctamente. No apretar correctamente la manguera de presión alta ocasionará que la manguera se deslice o salga disparada inmediatamente al encender la unidad. No se preocupe por daños si esto ocurre, simplemente vuélvala a instalar y tenga especial cuidado al enroscar el conector de la manguera de presión alta.

**Nota: NO** utilice alicates ni pinzas de presión para apretar.



Conecte el otro extremo de la manguera de presión alta (E) a la pistola rociadora (F) insertando la punta de metal plateada de la manguera de presión alta en el conector justo antes del protector del gatillo. Se fijará en la pistola rociadora con un "clic". Confirme que la manguera está bloqueada en la pistola rociadora jalando levemente la manguera. La manguera está ahora conectada de manera segura a la pistola rociadora.

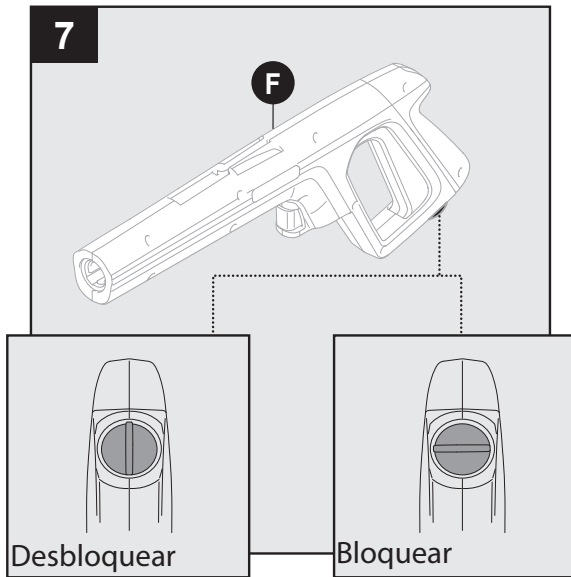
**Nota: NO** presione el botón en la parte inferior de la pistola cuando conecte la manguera a la pistola. Este es el botón de liberación de la manguera, y la manguera no podrá conectarse.



Para liberar la manguera (E) de la pistola rociadora (F), presione el botón en la parte inferior de la pistola hacia el protector del gatillo. La manguera se deslizará hacia afuera de la conexión.



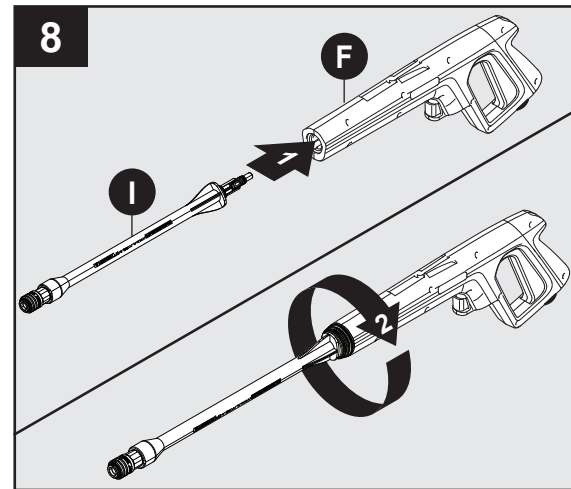
## INSTRUCCIONES DE MONTAJE



### Pistola de cierre (antes de la instalación de la lanza)

A cerradura de gatillo de pistola (F), apunte la pistola a de usted y a su vez marcar a cerradura (posición “3” y “9”). Apretar o tirar de gatillo para asegurarse de que está bloqueado. SIEMPRE dejar en posición cerrada cuando no en uso. Esto asegura que el arma está en modo “seguro” hasta que está listo para usar. Gire para desbloquear (“12” y “6” posición) para liberar el gatillo de la pistola.

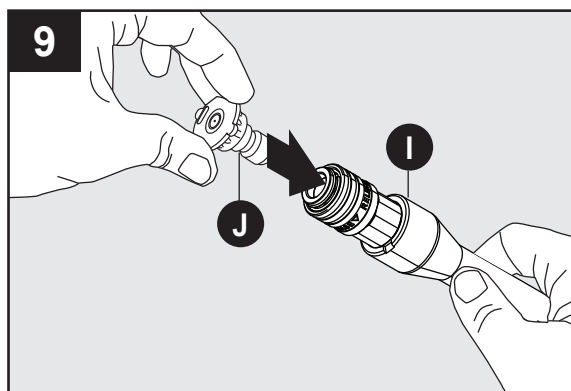
**Nota:** El seguro del gatillo impide gatillo enganchado accidentalmente.



### Instalación de la lanza de extensión

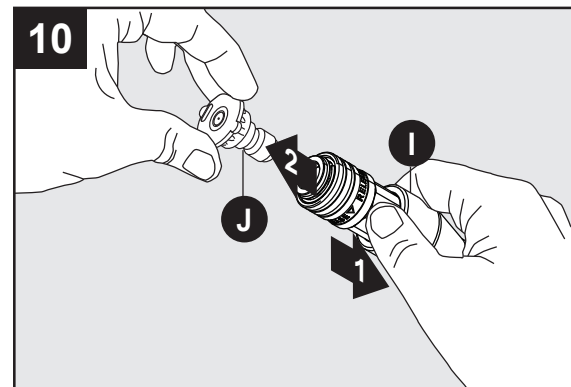
Con la pistola rociadora (F) en posición bloqueada, acople la lanza de extensión (I) directamente a la pistola rociadora. Inserte la extensión de la lanza en la pistola, presionando conjuntamente y girando hacia la derecha simultáneamente. Gire el collarín de la extensión hacia la derecha para bloquearla en su lugar. Para retirar la lanza de extensión (I), gire el collarín de la extensión hacia la izquierda para desbloquear y luego presione conjuntamente y gire hacia la izquierda para liberar.

**Nota:** La lanza de extensión se debe insertar en la pistola antes de usar cualquiera de los otros aditamentos y en su lugar para el almacenamiento. Se recomienda que una vez se conecta la extensión se deje en su lugar.



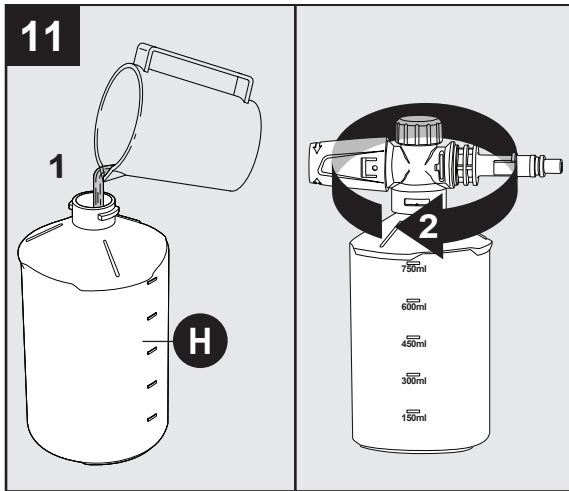
Acople las boquillas (J) en el extremo de la lanza (I) presionando la boquilla seleccionada en su lugar. Hará un sonido de “clic” cuando esté firme en su lugar.

**Nota:** Siempre presione el botón de bloqueo de seguridad para bloquear el gatillo cuando cambie las lanzas y las boquillas para garantizar que no se expulsen accidentalmente con fuerza durante la desinstalación.



Para retirar la boquilla (J) jale hacia atrás el collarín de la lanza (I) y saque la boquilla.

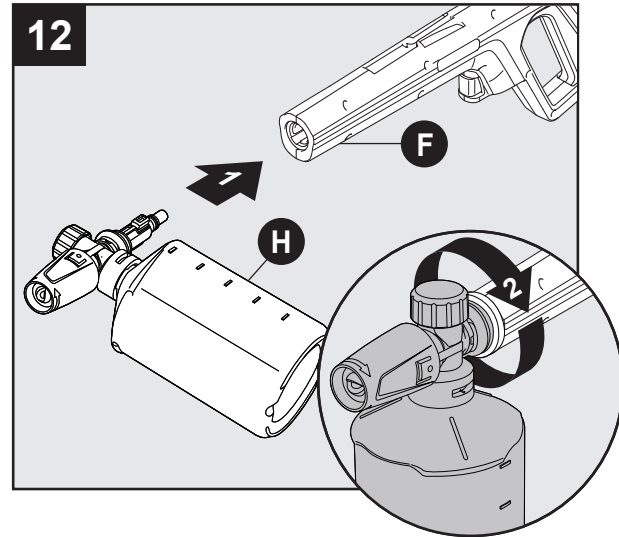
## INSTRUCCIONES DE MONTAJE



### Instalación de la espuma del cañón

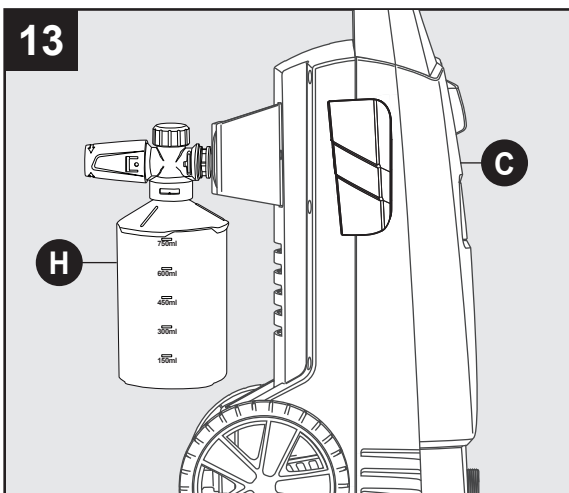
La espuma del cañón viene con una pajilla que se adapta en la tapa con presión alta. Si no ve la pajilla, mire dentro de la espuma del cañón y acóplela en la tapa con presión alta. Cuando use la espuma del cañón, llénela con un detergente o limpiador formulado apropiadamente con una proporción de agua de acuerdo a las instrucciones en el envase.

- Se recomiendan los detergentes para lavadora a presión. Consulte la página 45 para obtener más información.
- **NO** use detergentes espesos ni de tipo gel ya que obstruirán la espuma del cañón y podrían ocasionar daños.



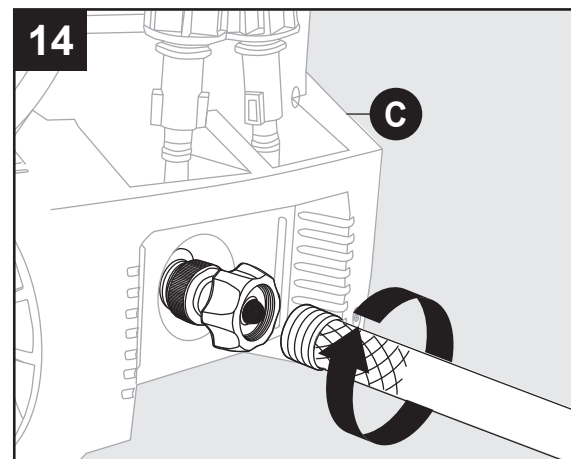
Inserte la cañón de espuma de alta presión (H) en la Pistola rociadora (F), presione y gire hacia la derecha.

Nota: siempre Trabe la pistola rociadora cuando cambie el cañón de espuma para asegurarse de que no se expulsa con fuerza.



### Espuma del cañón de almacenamiento

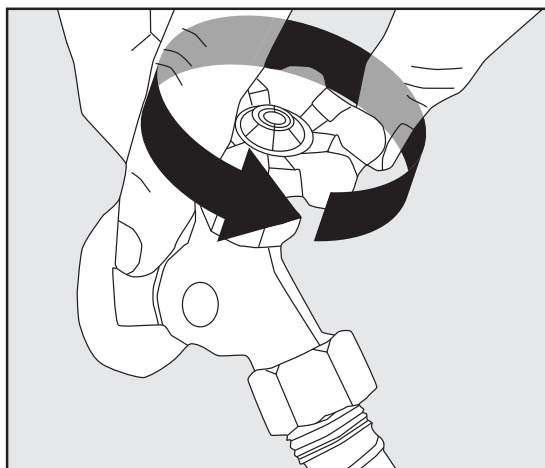
Almacene la espuma del cañón (H) en la parte posterior de la unidad de la lavadora de energía (C).



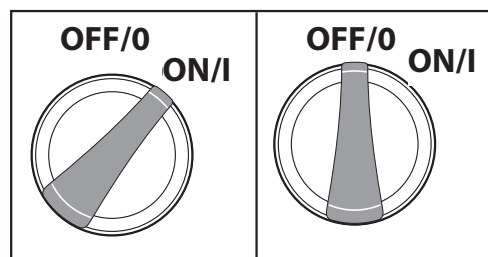
Conecte una manguera de jardín estándar al collar negro del adaptador de manguera de jardín ubicado en la parte posterior de la unidad de la lavadora de energía (C). El agua ahora está conectada a su lavadora de energía.

**NOTA:** Enjuagar la manguera antes de conectar Adaptador para manguera de jardín.

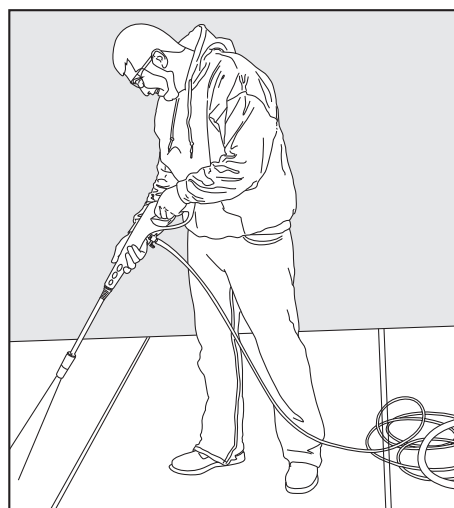
## INSTRUCCIONES DE OPERACIÓN



- Asegúrese de que el interruptor “ON/OFF” esté en la posición “OFF”. El interruptor de encendido tiene símbolos internacionales para “on” y “off”: On (I) Off (O).
- Desenrolle completamente el cable de alimentación y conecte el GFCI en una toma de 120 voltios a tierra.
- Abra el suministro de agua con el grifo completamente abierto.
- Libere el bloqueo del gatillo a presión de seguridad hacia arriba y de nuevo hacia el gatillo. Mientras apunta la pistola rociadora a una dirección segura, apriete el gatillo de la pistola rociadora hasta que haya un flujo constante de agua, permitiendo que el agua y el aire salgan de la manguera. Presione el bloqueo del gatillo de nuevo hacia abajo para bloquearlo de nuevo en su lugar.
- Gire el interruptor de alimentación a la posición “ON” (I). La unidad se encenderá durante 1 o 2 segundos y se apagará. Este es un procedimiento normal de la función de arranque automático. Apriete el gatillo de la pistola rociadora para comenzar el lavado a presión.



- Comience el lavado a presión apretando el gatillo de la pistola rociadora completamente en la manija.
- Libere el gatillo de la pistola rociadora para detener la lavadora a presión.
- Deje que el motor se detenga por completo antes de apretar el gatillo de nuevo.
- Oprimir rápidamente hará que la función de arranque automático pierda un ciclo de on/off lo que puede impedir que se encienda mientras aprieta el gatillo después de oprimir de manera rápida. Mediante jalones del gatillo pausados lentos evita este proceder.



- **Siempre pruebe** en un área pequeña para evitar la posibilidad de dañar la superficie.

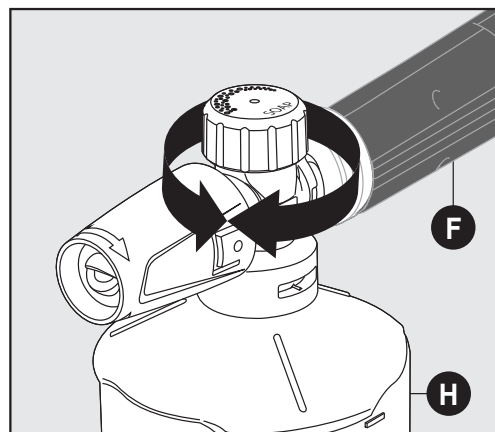
## INSTRUCCIONES DE OPERACIÓN

### Consejos para la operación

- **Nota:** Pruebe el GFCI antes de cada uso:
  1. Enchufe el GFCI en la toma de corriente. El indicador debe volverse verde para mostrar que el cable tiene energía.
  2. Presione el botón de prueba, el indicador verde debe apagarse para verificar que el GFCI cortó la alimentación del cable.
  3. Presione el botón RESET – el indicador verde debe encenderse para mostrar que el cable tiene energía de nuevo.
  4. cuando el GFCI esté funcionando correctamente, el indicador verde se encenderá cuando se aplique la energía. Si el indicador verde se apaga, ha detectado fugas eléctricas y el GFCI cortó la alimentación eléctrica al electrodoméstico.
- Si escucha que el motor funciona de forma intermitente cuando no se aprieta el gatillo, eso es normal. La bomba se está purgando para que esté lista para funcionar cuando se apriete el gatillo. Apague la lavadora a presión si no se usa después de cinco minutos.
- Los empaques de anillo en el extremo de la bayoneta de la boquilla se debe limpiar regularmente y lubricar con grasa no soluble en agua, como la vaselina.
- Conserve el alambre de limpieza de la boquilla para utilizarlo para destapar la boquilla. Si pierde el alambre de limpieza, un sujetapapeles enderezado también funcionará.

### Cómo evitar dañar las superficies

- Los daños a las superficies que se limpian se producen debido a que la fuerza del impacto de la presión del agua es superior a la durabilidad de la superficie. La madera sin acabado se puede penetrar, la pintura se puede descascarar, etc. Puede variar la fuerza de su lavadora a presión mediante el control de:
  1. El ángulo de la superficie que se limpia.
  2. La distancia de la boquilla de la superficie que se limpia.
- **NUNCA** utilice un flujo de agua de presión alta pequeño sobre superficies suaves susceptibles a los danos.



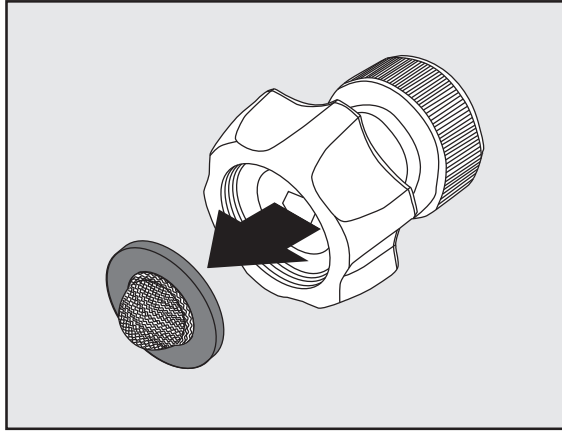
### Ajuste los niveles de jabon en espuma Cannon

Giro la perilla para ajustar el nivel de jabón como se indica en la parte superior de la espuma Cannon (H). Giro hacia la mayor concentración de burbujas de jabón, o en la dirección opuesta para menos.

### Detergentes

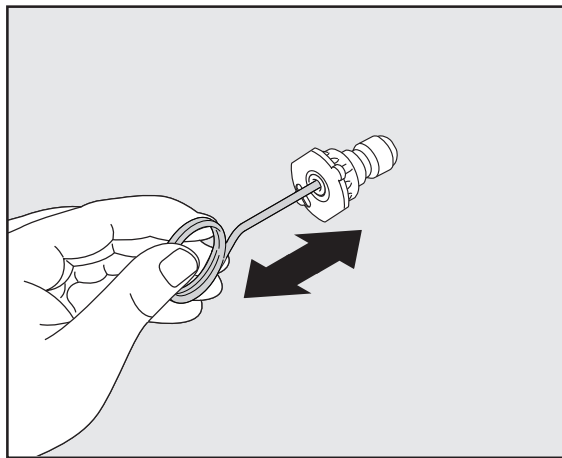
- Utilice detergentes diseñados para lavadoras a presión. Estos se pueden comprar en línea en nuestro sitio web [www.arblueclean.com](http://www.arblueclean.com). Las ferreterías o los centros para el hogar también tienen detergentes para lavadora a presión para diferentes trabajos de limpieza. La solución de limpieza debe tener la consistencia del agua para evitar la obstrucción de la boquilla y de la botella de detergente.
- Este sistema aplica detergente a baja presión. La capacidad de limpieza de los detergentes mejora cuando se aplica con baja presión y se le da el tiempo suficiente para romper la suciedad y la mugre. La combinación de baja presión y la acción química es muy eficaz y puede ser mejor que restregar, si se aplica correctamente. **SIEMPRE** rocíe detergente sobre una superficie seca. **NO** remoje previamente. Al mojar la superficie primero, se diluye el detergente y reduce su capacidad de limpieza. **NO** permita que el detergente se seque sobre la superficie. Al limpiar superficies verticales, aplique detergente en las superficies inferiores y suba poco a poco para evitar que el detergente haga rayas en la suciedad o mugre. Enjuague el detergente mediante el lavado a presión de abajo hacia arriba por la misma razón.
- Si una mancha es particularmente difícil, puede ser necesario aplicar de nuevo detergente y utilizar un cepillo de cerdas para restregar la mancha. El lavado a presión posterior al cepillado debe completar con éxito el trabajo de limpieza.

## CUIDADO Y MANTENIMIENTO



### Limpeza del adaptador de manguera de jardín

- La pantalla dentro del adaptador debe limpiarse periódicamente. Quítela arrastrando un pulgar sobre la pantalla con suficiente presión para sacar la pantalla y la arandela. Enjuáguela con agua limpia y vuelva a colocarla en el adaptador.



### Limpeza de las boquillas

- Una boquilla obstruida o parcialmente obstruida puede ocasionar una reducción significativa de la presión del agua que sale de la boquilla y hacer que la unidad vibre durante el rociado.
- Apague la unidad.
- Cierre el suministro de agua a la unidad.
- Alivie cualquier presión atrapada en la manguera apretando el gatillo de 2 a 3 veces y luego bloquee la pistola rociadora presionando el botón de bloqueo de izquierda a derecha.
- Retire la lanza de la lanza de extensión.
- Retire la lanza de boquilla rociadora variable. Gire la boquilla para reducir el ajuste del flujo que liberan las aspas del ventilador.

- Utilice el limpiador de la punta de la boquilla proporcionado (o un portapapeles desdoblado), inserte el alambre en el agujero de la boquilla y muévalo hacia adelante y hacia atrás hasta que los residuos se desprendan.
- Golpee ligeramente el extremo de la conexión rápida de la lanza sobre una superficie dura varias veces.
- Lave a contracorriente con agua a través de las boquillas con la manguera de jardín y a la máxima presión disponible (ya sea con la boquilla de agua estándar o con el pulgar sobre la boquilla para crear la presión de agua para el lavado a contracorriente).

### Almacenamiento

- Cuando termine la sesión de lavado a presión, apague el interruptor de alimentación ubicado en la parte delantera de la lavadora a presión. Desconecte el cable de alimentación de la toma de corriente. Cierre el suministro de agua. Jale el gatillo de la pistola rociadora de 2 a 3 veces para drenar el exceso de agua y para liberar cualquier presión de agua que quede. Desconecte el adaptador de la manguera de jardín de la entrada de agua. **NO** permita que la lavadora a presión funcione sin que pase un flujo de agua a través de ella.
- Retire la manguera de presión alta de la pistola rociadora.
- Retire la lanza de la pistola. Coloque la pistola en el soporte al lado. Las lanzas se colocan en cualquiera de las ranuras en la parte trasera de la unidad.
- Asegúrese de desechar cualquier resto de detergente de la botella. Química residual se pegan a el contenedor que podría convertirse en cotaminated, y puede causar que el inyector de detergente a estorbar y no funcionar correctamente. Enjuague la botella y la cabeza de la boquilla con agua fresca para evitar la obstrucción.
- Enganche el cable de alimentación alrededor del gancho del cable en el lado derecho de la máquina estando de frente a esta.
- La manguera de presión se almacena en la manguera gancho situado en la parte trasera de la manija.
- **No almacene la lavadora de energía donde esté expuesta a temperaturas de congelación a menos que utilice un anticongelante diseñado para bombas.** Almacene la lavadora en el interior para evitar que el agua de la unidad se amplíe en condiciones de congelación. Cuando el agua se congele y se amplíe, su lavadora de energía se dañará y se volverá inoperable. O, si se almacena al aire libre, se recomienda utilizar el protector de la bomba (no incluido) para proteger las bombas.

## PROTECTOR DE LA BOMBA

**Protector de la bomba** es un producto que protege y prolonga la vida de la bomba. Este mantendrá las partes internas de la bomba lubricadas y protegidas de la congelación mientras se almacena en TODOS los climas. También ayuda a proteger contra la corrosión interna. El N.º de pieza de Blue Clean es: PW64511 (botella de 16 onzas). Realice su pedido en línea en [www.arblueclean.com](http://www.arblueclean.com)

### Instrucciones del protector de la bomba

Siga las instrucciones de almacenamiento previas para su lavadora a presión. Para evitar manchas, proteja la superficie debajo de la lavadora a presión de cualquier exceso de líquido. Utilice protección para los ojos cuando utilice este producto.

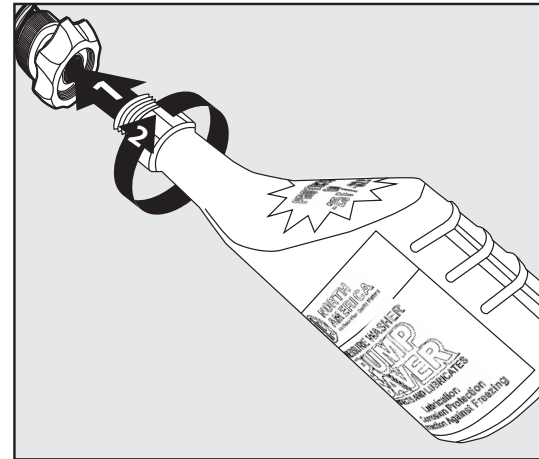
Apague y desconecte la pistola antes de agregar protector de la bomba. Desatornille la tapa roscada de botella a Retire el sello y vuelva a colocar la tapa rosca para botella. Retire la tapa negra de la botella.

- 1) parte superior lugar de botella de protector de bomba en el jardín adaptador.
- 2) Asegure la botella de protector de la bomba girando en un horario Dirección.
- 3) encender la unidad.

4) Squeeze Bottle para ayudar en la bomba.

5) Apague la energía cuando la máquina bomba Saver salidas Salida de agua.

**Nota:** las instrucciones de la botella del protector de la bomba son genéricas y no del modelo específico.



## SOLUCIÓN DE PROBLEMAS

Si tiene alguna pregunta sobre el producto, llame a Servicio al cliente al 1-866-235-5112.

PROBLEMA	ACCIÓN CORRECTIVA
La unidad no enciende.	<ol style="list-style-type: none"> <li>1. El módulo del GFCI en el extremo del cable de alimentación se debe conectar directamente a una toma de corriente.</li> <li>2. No utilice un cable de extensión.</li> <li>3. Con el GFCI conectado asegúrese de que el interruptor de alimentación esté en on.</li> </ol> <p><b>Nota:</b> Cuando el interruptor de alimentación está en on, la lavadora a presión se encenderá por 1 o 2 segundos y se apagará. Esto es normal.</p>
La manguera de presión alta (HP) no se conecta/permanece conectada a la pistola rociadora. ¿Es este un problema de la pistola rociadora?	<ol style="list-style-type: none"> <li>1. En la mayoría de los casos, la pistola rociadora no es el problema. El problema es la funda de caucho que cubre el conector en el extremo de la manguera de presión alta. Es probable que se haya deslizado hacia la punta de metal. Para arreglarlo: mueva, gire o jale la funda de caucho hacia abajo hasta que se pueda ver toda la punta más 0,317 cm (1/8 pulgadas) del conector de metal debajo de la punta. Ahora trate de insertar la punta de la manguera en la pistola rociadora. Debe hacer "clic" en su lugar y no saldrá hasta que la manguera se libere presionando la palanca en la parte inferior de la pistola. Puede cortar el extremo de la funda con un cuchillo afilado si no puede mover la funda hacia abajo. Tenga cuidado de no cortar ni perforar la manguera.</li> <li>2. No presione el botón de liberación cuando se conecta la manguera de presión alta.</li> </ol>
La unidad está funcionando, pero no hay flujo de agua.	<ol style="list-style-type: none"> <li>1. la alimentación no debe encenderse hasta que el agua pase a través de la pistola pulverizadora. Si lo hace, se dañará el motor.</li> <li>2. Compruebe la fuente de agua.</li> <li>3. Expulse la boquilla de la lanza para determinar si la boquilla viene con obstrucciones (si la boquilla está obstruida, consulte las instrucciones de limpieza de la boquilla debajo de "boquillas de limpieza").</li> <li>4. Quite la lanza y apenas rocíe de la pistola de aerosol. Esto indicará si el problema es con el lance.</li> <li>5. Revise el adaptador de la manguera de jardín para la conexión floja y el filtro para escombros.</li> </ol>
¿Por qué hay fugas de agua en la conexión de la manguera de presión alta a la pistola rociadora?	<ol style="list-style-type: none"> <li>1. Asegúrese de que haya un empaque de anillo en el extremo de la punta de metal de la manguera de presión alta. Si no hay un empaque de anillo, la conexión entre la manguera y la pistola rociadora presentará una fuga. El kit de reemplazo de junta tórica (L) se incluye con la compra. Los kits o-ring adicionales están disponibles en línea en <a href="http://www.arblueclean.com">www.arblueclean.com</a> o llame al servicio al cliente al 1-866-235-5112 para realizar un pedido.</li> </ol>
No puedo retirar la lanza de la pistola rociadora. ¿Qué debo hacer?	<ol style="list-style-type: none"> <li>1. Todas las lanzas y las botellas de detergente se acoplan y se retiran de la lanza de extensión de la misma forma. Inserte el extremo de liberación rápida de la lanza/botella de detergente en la lanza de extensión. Presione la lanza de extensión y la lanza conjuntamente (aproximadamente 0,317 cm [1/8 pulgadas]) y gire hacia la derecha. La lanza se bloqueará en su lugar. Retire la lanza revirtiendo este procedimiento. Presione la lanza de extensión y la lanza conjuntamente y gire hacia la derecha. La lanza se deslizará hacia afuera.</li> <li>2. O bien, sostenga la lanza de extensión y la lanza en posición vertical con el extremo de la boquilla en el suelo. Presione todo el conjunto hacia abajo para aflojar la conexión y, a continuación, siga el procedimiento de desinstalación de nuevo. También puede rociar agua jabonosa o un lubricante en el área de la conexión de la lanza a la lanza de extensión.</li> </ol>

## SOLUCIÓN DE PROBLEMAS

PROBLEMA	ACCIÓN CORRECTIVA
La lavadora a presión se enciende por 2 segundos, se apaga y no vuelve a encender. ¿Tengo una unidad defectuosa?	<ol style="list-style-type: none"><li>1. Parece que la lavadora a presión trabaja muy bien. Cuando se conecta el agua, los accesorios están montados apropiadamente y el interruptor de alimentación está en on, la lavadora a presión puede encender por 1 o 2 segundos para purgar la bomba. Se apaga automáticamente y espera que el gatillo de la pistola rociadora se presione. Cuando el gatillo se presiona, el agua comienza a fluir a través de la bomba. El sensor de agua en la bomba “detecta” el agua en movimiento y enciende automáticamente la lavadora a presión.</li><li>2. Coloque el interruptor de alimentación en off, mantenga presionado el gatillo de la pistola rociadora, para tener un flujo constante de agua. Mientras mantiene el gatillo abierto en la pistola rociadora, al mismo tiempo, coloque el interruptor de alimentación a on.</li></ol>

## GARANTÍA LIMITADA

La garantía de este producto está cubierto por A.R.North America.

Este producto tiene una garantía de 2 (dos) años. Por favor lea lo siguiente para entender lo que implica cada uno de garantía:

Este producto está en garantía al consumidor minorista original contra defectos de material y mano de obra durante un período de 1 (un) año y es un “parachoques a parachoques” garantía completa que incluye la pistola, la manguera de alta presión y todos los accesorios de la fecha de compra. La garantía no es transferible o asignable. Esta garantía cubre las piezas de recambio. Esto limita un año de garantía se aplica únicamente a los productos utilizados en aplicaciones de consumo y es nula en alquiler o cualquier aplicación comercial. cuidado razonable debe ser utilizado de acuerdo con las instrucciones de operación y mantenimiento en la guía de inicio manual y rápida del propietario. Si no se siguen estas instrucciones, se anulará esta garantía. Esta garantía le otorga derechos legales específicos y usted también puede tener otros derechos que varían de un estado a otro.

El segundo año de la garantía sólo cubre defectos de fabricación.

### Proceso de garantía

Guarde su recibo original de compra en caso del reclamo de garantía.

Si la lavadora a presión desarrolla un problema, comuníquese con Servicio al cliente:

- Llame a nuestro número gratuito 1-866-235-5112. Servicio al cliente está disponible de lunes a viernes de 8:00 a. m. a 5:00 p. m., hora estándar del centro (CST). Un representante de servicio al cliente trabajará con usted para solucionar el problema.

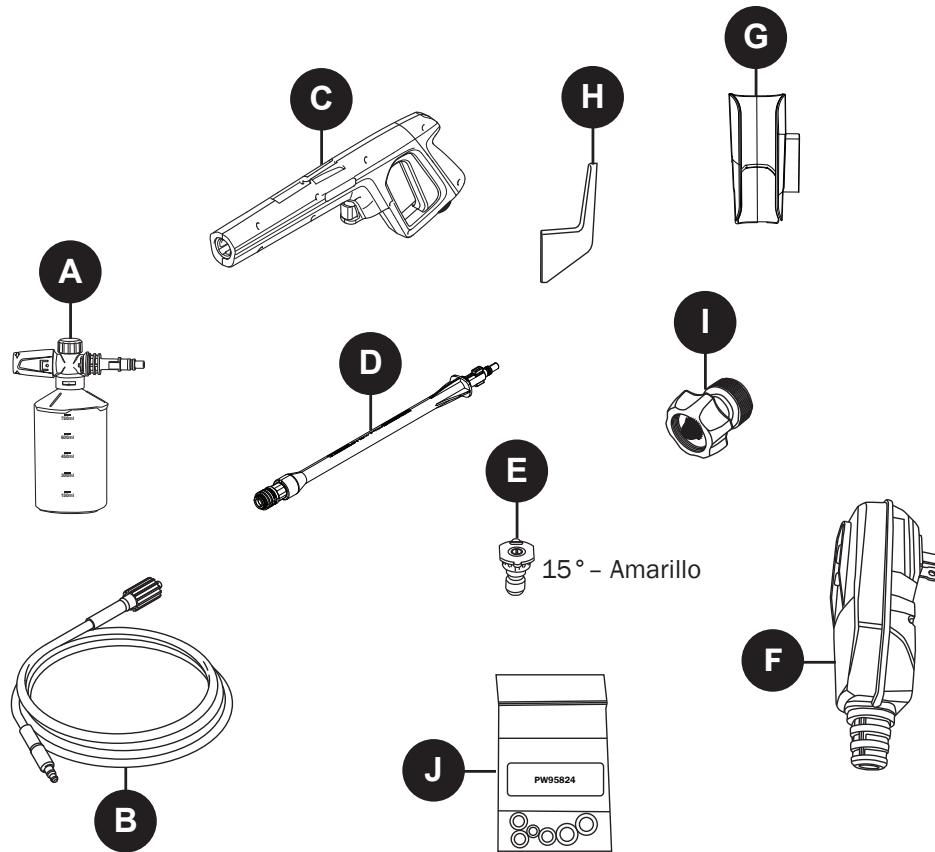
Si la lavadora a presión se tiene que retornar para su reparación, el cliente debe pagar los costos de envío a la compañía. Se emitirá un **Número de autorización de devolución de mercancía (RMA)** para la devolución. Al recibir la lavadora a presión, la empresa reparará o reemplazará la unidad. Enviaremos de vuelta la unidad al cliente sin cargo alguno.

Tenga en cuenta: las lavadoras a presión que se envíen a la empresa **sin número RMA no se aceptarán** y se enviarán de vuelta a expensas del remitente.



## LISTA DE PIEZAS DE REPUESTO

Para obtener piezas de repuesto, llame a nuestro Departamento de Servicio al Cliente al 1-866-235-5112, 8:00 a. m.-5:00 p. m., hora estándar del centro, de lunes a viernes o realice el pedido en línea en [www.arblueclean.com](http://www.arblueclean.com)



PIEZA	DESCRIPCIÓN	PIEZA N.º
A	Cañón de espuma (25 onzas)	PW4620275
B	Manguera de presión alta	PW4222400
C	Pistola rociadora	PW4381488
D	Lanza de extensión	PW4120470
E	15° Boquillas de conexión rápida	PW4222590

PIEZA	DESCRIPCIÓN	PIEZA N.º
F	Ensamble del GFCI	PW4221160
G	Funda de la pistola	PW4222480
H	Gancho del cordón	PW4220590
I	Adaptador de manguera de jardín	PW4221570
J	Kit de empaque de anillo	PW95824

Impreso en China





