

**1500 PSI**

**Electric Pressure Washer**



**BLUE  
CLEAN®**

## **ASSEMBLY, CARE AND USE INSTRUCTIONS Model AR 1500**

**READ CAREFULLY**

**IMPORTANT: RETAIN THESE INSTRUCTIONS  
AND ATTACH RECEIPT TO MANUAL FOR FUTURE  
REFERENCE.**



**! WARNING:** This product can expose you to chemicals including lead, DEHP, DINP, which is known to the State of California to cause cancer and or lead to birth defects. For more information go to [www.P65Warnings.ca.gov](http://www.P65Warnings.ca.gov)

### **Questions, problems, missing parts?**

Before returning to your retailer, call (1-866-235-5112) or email ([info@arnorthamerica.com](mailto:info@arnorthamerica.com)) our customer service department. They are available from 8:00 a.m. - 5:00 p.m., CST, Monday - Friday. [www.arblueclean.com](http://www.arblueclean.com)

**95023-JM**

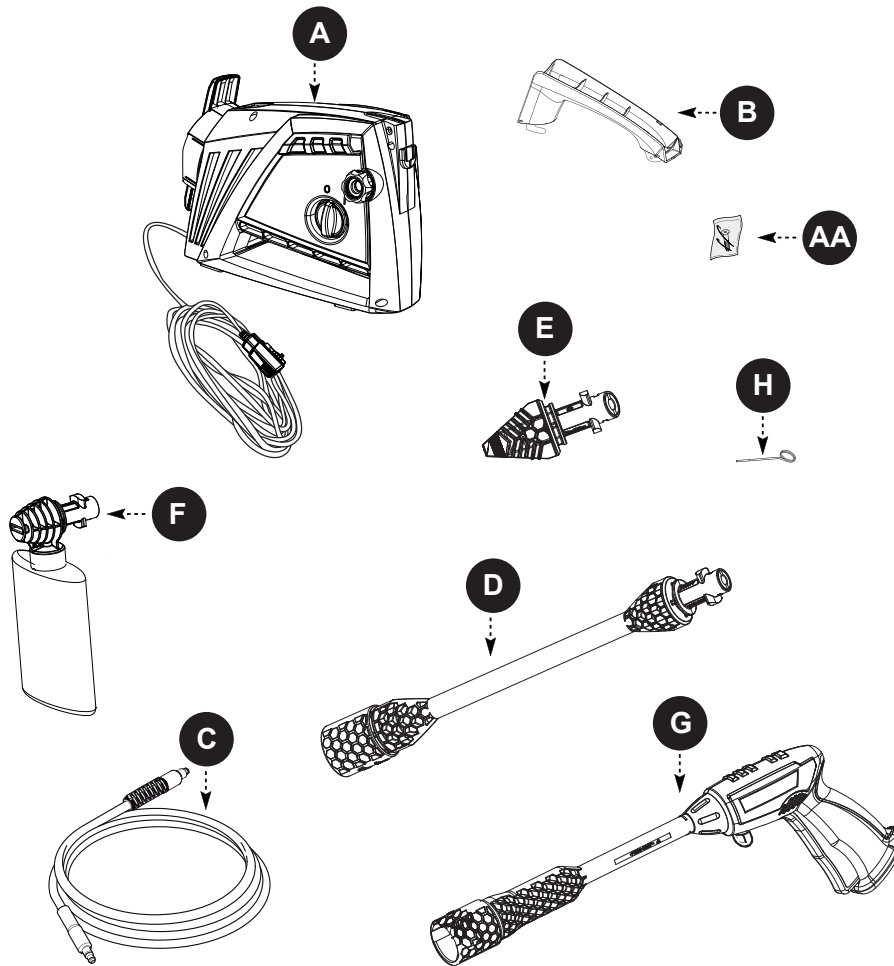
## TABLE OF CONTENTS

Product Specifications .....	2
Package Contents .....	3
Hardware Contents .....	3
Safety Information.....	4
Assembly Instructions.....	6
Operating Instructions .....	9
Care and Maintenance .....	10
Troubleshooting.....	12
Limited Warranty.....	13
Replacement Parts List .....	14

## PRODUCT SPECIFICATIONS

SPECIFICATIONS							
Model	Max PSI (lbs/sq. in.)	Max GPM (Gal/per min)	Cold Water	Volts	Frequency (Hz)	Amps	Weight (lbs.)
AR 1500	1500	1.2	✓	120	60	12	14.3

## PACKAGE CONTENTS



PART	DESCRIPTION	QUANTITY
A	Power washer unit	1
B	Handle	1
C	High pressure hose	1
D	Extension Lance	1
E	Fixed Spray Nozzle	1

PART	DESCRIPTION	QUANTITY
F	High Pressure Foam Sprayer (12 oz.)	1
G	Spray Gun	1
H	Nozzle cleaning wire-taped to manual for safe keeping	1
AA	Screw	1

## HARDWARE CONTENTS

AA



**Note:** Screw is located in accessories package.

Screw  
Qty. 1

## SAFETY INFORMATION

Please read and understand this entire manual before attempting to assemble and operate the product.

This manual contains information that relates to PROTECTING PERSONAL SAFETY and PREVENTING EQUIPMENT PROBLEMS. It is very important to read this manual carefully and understand it thoroughly before using the product. The symbols listed below are used to indicate this information.



### DANGER

Potential hazard that **will result in serious injury or loss of life.**



### WARNING

Hazard that **could result in serious injury or loss of life.**



### CAUTION

Potential hazard that **may result in moderate injury or damage to equipment.**

**Note:** The word “Note” is used to inform the reader of something the operator needs to know about the tool.



### WARNING

To reduce the risk of injury, the user must read and understand the instructions before using this product.

1. Warning – When using this product, basic precautions should always be followed, including the following.
2. Read all the instructions before using the product.
3. Know how to stop the product and bleed pressures quickly. Be thoroughly familiar with the controls.
4. Keep operating area clear of persons.
5. Do not overreach or stand on unstable support. Keep good footing and balance at all times.
6. Follow the maintenance instructions as specified in the manual.
7. To avoid personal injury and/or damage to property and to maximize your power washer experience, carefully follow all of the safety tips, instructions, warnings and safeguards and become familiar with all of the controls. Be sure you know how to quickly bleed off the pressure from all parts of your power washer and how to turn off the power washer.
8. This power washer conforms to CSA and other safety and consumer standards. **DO NOT** modify or rebuild any part of your power washer.

9. **DO NOT** use your power washer when you are under the influence of alcohol or drugs. Use this power tool carefully and only when you are alert.
10. Watch your balance and footing while using your power washer. Surfaces become slippery when wet and are extra slippery when using a detergent or cleaner.
11. **NEVER** operate the power washer in bare feet, sandals, or open-toed shoes.
12. When using the power washer near children, make sure they are closely supervised by an adult to avoid injury. **NEVER** let a child use the power washer.
13. Keep fingers, hands, feet and any part of your body clear of the stream of high pressure water. The powerful spray can cause blindness or blast holes in the skin. It can break a window if you are too close when you pull the trigger on the spray gun.
14. **ALWAYS** wear eye protection to prevent injury to eyes when operating the power washer.
15. To avoid mishaps or injury, **ALWAYS** use the trigger safety lock when not using the power washer even if only stopping briefly.
16. The power washer is equipped with a Ground Fault Circuit Interrupter (GFCI) which greatly reduces the chance of electric shock while the unit is in use. If replacement of the plug or cord is needed, use only identical replacement parts.
17. Point the spray gun in a safe direction when beginning a power washer session.
18. Warning- **NEVER** spray directly at a person, animal, electrical device or the unit itself.
19. When first using the spray gun, hold the spray gun and lance with two hands when pulling the trigger (one hand to pull the trigger and the other to stabilize the gun assembly) until you get used to the “kickback” from the spray gun.
20. When you turn the power switch off, water pressure may remain in the system. To discharge the pressure, point the spray gun in a safe direction and pull the trigger.
21. **NEVER** spray flammable liquids.
22. **NEVER** use the power washer in areas that contain combustible dust, liquids or vapors.
23. Avoid contact of the pressure hose with sharp objects and examine the hose regularly. Replace if damaged. Due to the high pressure involved, it cannot be repaired if cut or damaged.
24. Only use detergent specifically formulated for power washers and follow instructions on the detergent’s label. Dish or laundry soap is too thick and will clog the nozzle of your foam cannon.

## SAFETY INFORMATION

25. Protect eyes, lungs, and skin from exposure to detergent.
26. Warning-If connection is made to a potable water system, the system should be protected against backflow.



### CAUTION

Store the power washer indoors to prevent the water in the unit from expanding under freezing conditions. When the water freezes and expands, your power washer will be damaged and become inoperable. Or, if storing outdoors, it is recommended you use pump saver (not included) to protect pumps.

27. **NEVER** use hot water with your power washer. It will overheat and damage the high pressure pump.
28. **NEVER** leave the power washer unattended while it is powered "ON".
29. **ALWAYS** turn the water supply on before turning the power washer power to on. Running the pump dry will cause damage to the internal components.
30. **NEVER** use a water supply to your power washer that exceeds 150 PSI maximum.
31. **NEVER** disconnect the high pressure hose from the power washer while the system is pressurized.
32. **NEVER** permanently engage the trigger mechanism on the spray gun.
33. **NEVER** operate the power washer unless all components are properly and securely connected.
34. **NEVER** allow the power washer pump to run for more than one minute after you have turned off the water supply. This can cause the motor and pump to overheat and fail.
35. **NEVER** use lances or other parts that are not compatible for this specific AR Blue Clean unit.
36. **NEVER** use an extension power cord since it defeats the effectiveness of the GFCI and increases the chance of electrocuting the operator.
37. **NEVER** spray any electrical outlet with your power washer.
38. Inspect the power cord before using. **DO NOT** use it if it is damaged.

## KEEP THESE INSTRUCTIONS FOR FUTURE REFERENCE.

### Servicing of a Double-Insulated Appliance

Ground Fault Circuit Interrupter Protection:

This pressure washer is provided with a ground-fault circuit-interrupter (GFCI) built into the plugs of the power-supply cord. This device provides additional protection from the risk of electric shock. Should replacement of the plug or cord become necessary, use only identical replacement parts that include GFCI protection.

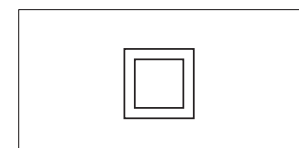
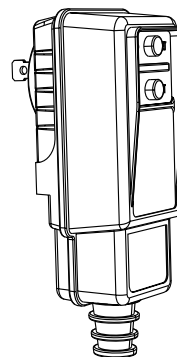
In a double-insulated product, two systems of insulation are provided instead of grounding. Grounding means are not provided for a double insulated product, nor should grounding means be added to the product.

Servicing a double-insulated product requires extreme care and knowledge of the system, and should only be

done by qualified service personnel.

Replacement parts for a double-insulated product must be identical to the original parts.

A double-insulated product is marked with the words "Double Insulation" or "Double Insulated". Product may also be marked with symbol shown here.



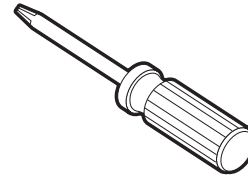
**Double Insolated Product**

## PREPARATION

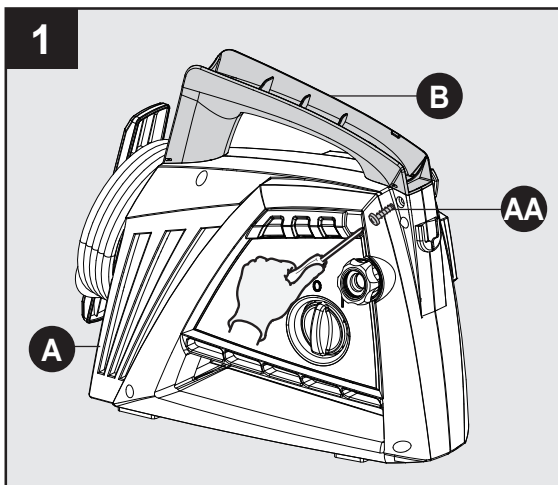
Before beginning assembly of product, make sure all parts are present. Compare parts with package contents list and hardware contents list. If any part is missing or damaged, do not attempt to assemble the product. Please call customer service at 1-866-235-5112. Replacement parts will be sent no charge.

Estimated Assembly Time: 1 minutes.

Tools Required for Assembly (not included): Phillips screwdriver.

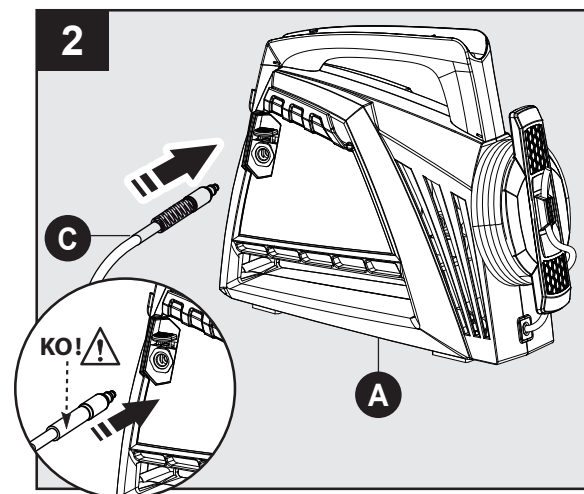


## ASSEMBLY INSTRUCTIONS



### Handle

The power washer (A) has on board and built-in accessory compartments. To assemble place handle (B) into top of unit and push forward to lock into place. Insert screw (AA) on left side of unit and tighten until snug. The trigger gun/lance may be stored on top of the handle.



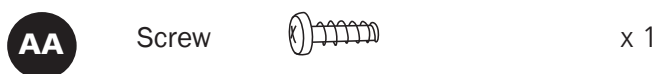
### High Pressure Hose

Connect one end of the high pressure hose (C) with flexible sleeve to the unit (A) by inserting it into front right side, it will lock into the unit with a “click”. Confirm the hose is locked into the unit by pulling slightly on the hose. The hose is now securely attached.

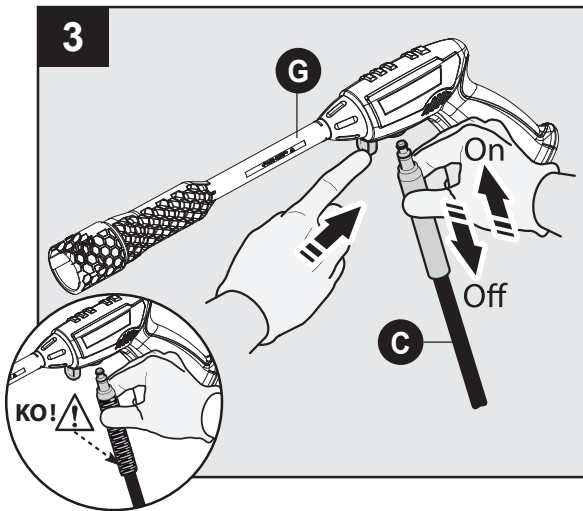
**Note:** Lay out the high pressure hose before using.

**Note:** **KO** means not ok.

### Hardware Used:

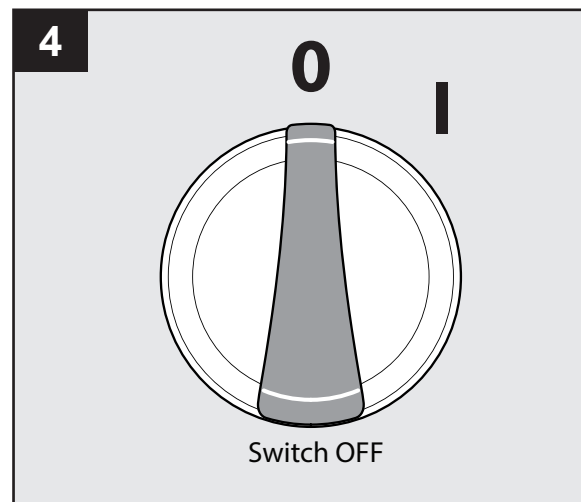


## ASSEMBLY INSTRUCTIONS



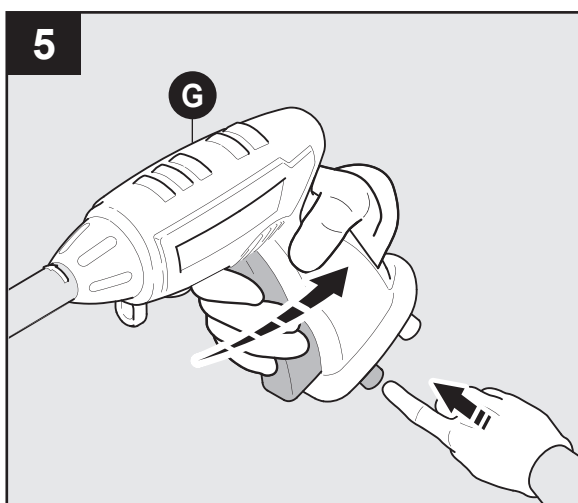
Connect the other end of the high pressure hose (C) to the spray gun (G) by inserting the silver metal tip of the high pressure hose (C) into the fitting under the trigger gun. It will lock into the spray gun with a “click”. Confirm the hose is locked into the spray gun by pulling slightly on the hose. The hose is now securely attached to the spray gun. To release the high pressure hose from the unit, press the thumb tab down on the unit and the hose will slide out from the connection. To release the high pressure hose from the spray gun, press the thumb tab on the underside of the spray gun towards the trigger. The hose will slide out from the connections.

**Note:** This step does not require any screws.

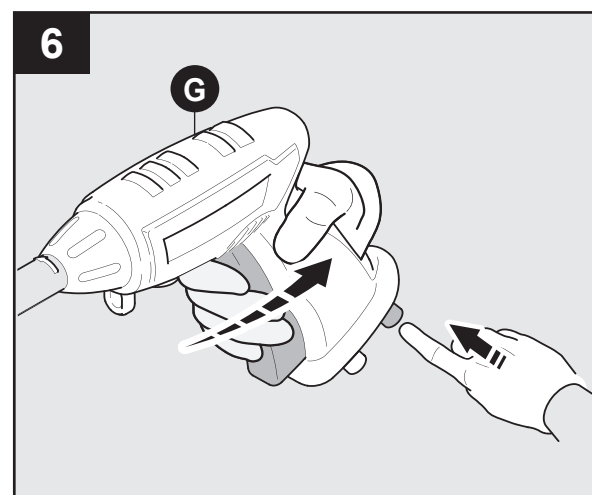


### Spray Gun

When lock the trigger of the spray gun, make sure power is off (0)

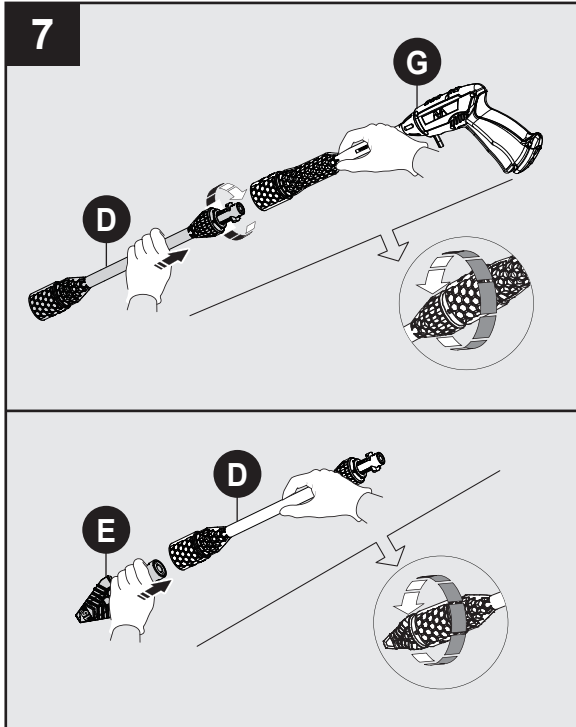


Aim the spray gun (G) away from you and push the lock button up, after doing so, squeeze or pull the trigger to make sure it is locked and will not move.



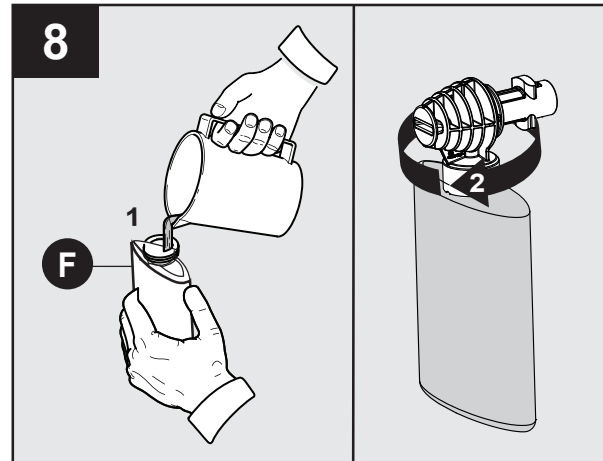
Get in the habit of leaving the lock button in the “locked” position when the power washer is not in use. This ensures the gun (G) is in “safe” mode until it is ready for use.

## ASSEMBLY INSTRUCTIONS



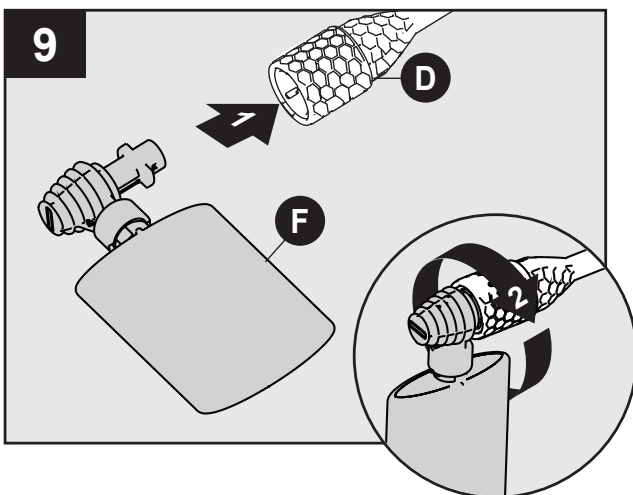
### Locking Spray Gun (Before Lance Installation)

While the spray gun (G) is in the locked position, insert the extension lance (D) into the end of the spray gun (G) by pushing together and turning clockwise at the same time. Insert the nozzle (E) into the end of the extension lance (D) and lock the ring at the end of spray gun (G). Press nozzle (E) and high pressure foam sprayer (F) into lance and turn clockwise until it “clicks” into place and lock the ring at the end of extension lance.



When using the high pressure foam sprayer (F) to fill it with a properly formulated detergent or cleaner with a water ratio according to instructions on the container. The detergent bottle comes with a straw which is fitted into the screw-on top. If you do not see the straw, look inside the bottle and attach it to the screw-on top.

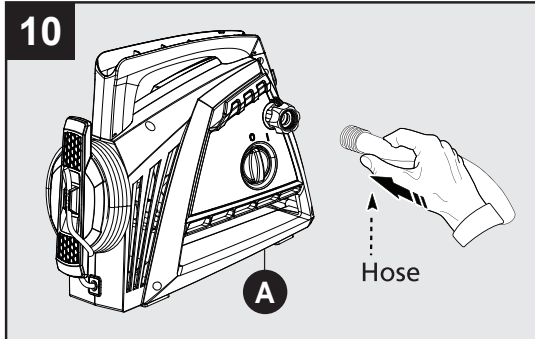
**Note:** See high pressure foam sprayer (F) section on page 10.



Insert high pressure foam sprayer (F) into extension lance (D), push in and turn clockwise.



## ASSEMBLY INSTRUCTIONS

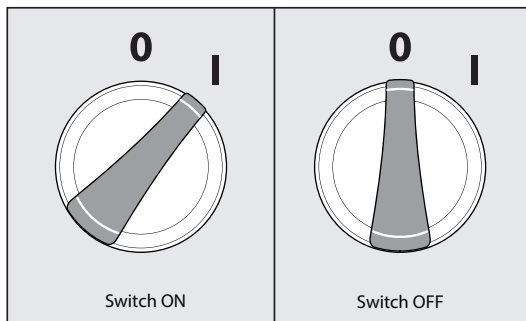


Attach a standard garden hose to the garden hose adapter located on the side of the power washer unit (A). The water is now connected to your power washer.

**Note:** Flush out garden hose before connecting to garden hose adapter.

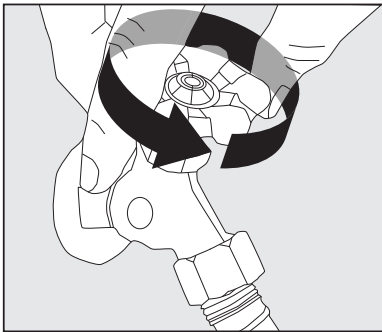
You have now completed the assembly of your POWER WASHER and are now ready to begin using your electric power washer. Read and observe all safety instructions.

## OPERATING INSTRUCTIONS



### Powering Up

- Make sure the “ON/OFF” switch is in the “OFF” position. The power switch has international symbols for ‘on’ and ‘off’: On (I) Off (O).
- Unwind the power cord completely and plug the GFCI into a grounded 120 volt outlet.



- Turn on the water supply at the faucet.
- Release the safety lock button on the spray gun by pressing the safety lock button. While pointing the spray gun in a safe direction, squeeze the trigger on the spray gun until there is a steady stream of water, letting the water and air out of the hose.
- Turn the power switch to the “ON” (I) position. The unit will turn on for 1 - 2 seconds and shut off. This is a normal function of the auto start feature. Squeeze the spray gun trigger to begin pressure washing.
- Begin power washing by squeezing the trigger on the

spray gun all the way into the handle.

- Release the spray gun trigger to stop the power washer.
- Allow the motor to come to a complete stop before squeezing the trigger again.
- Squeezing rapidly will cause the auto start feature to miss an on/off cycle that may prevent it from turning on while squeezing trigger after rapid squeezing. Use slow deliberate trigger pulls to avoid such symptoms.

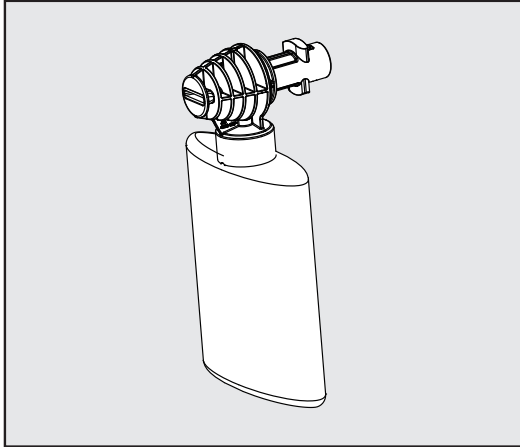
### Operating tips

- If you hear the motor run briefly when the trigger is not being squeezed, that is normal. The pump is priming itself so it is ready to operate when the trigger is squeezed. Turn off the power washer if not being used after five minutes.
- Do not pull trigger rapidly, this will cause the (TSS) to malfunction and unit will not turn on. Pull trigger slowly and methodically.
- The o-rings on the bayonet end of the adjustable lance and detergent bottle should be cleaned regularly and lubricated with light grease or petroleum jelly.

### How to Avoid Damaging Surfaces

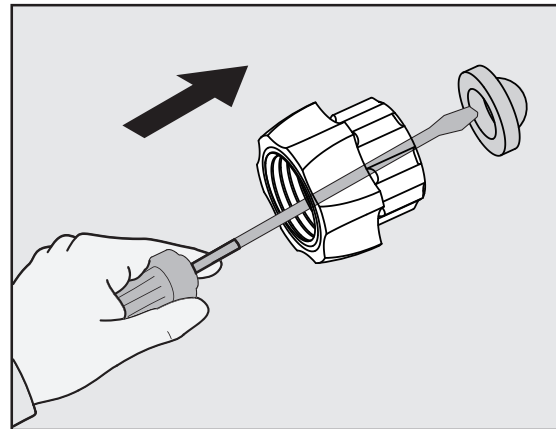
- Damage to surfaces being cleaned occurs because the impact force of the water pressure exceeds the durability of the surface. Bare wood can be penetrated; paint can be peeled off, etc. You can vary the force of your power washer by controlling:
  1. The angle of the water spray to the surface being cleaned.
  2. The distance of the nozzle from the surface being cleaned.
- Never use a narrow high pressure stream of water from the lance on soft surfaces susceptible to damage.

## CARE AND MAINTENANCE



### High Pressure Foam Sprayer

- The cleaning solution should be the consistency of water in order to prevent clogging your foam sprayer nozzle. Do not use thick or gel-like detergents they will clog up the foam sprayer straw and stop working.
- When using the foam sprayer, the application ratio of water to detergent is 10:1 or 10 parts water to 1 part detergent.
- This foam sprayer can be purchased online at our website [www.arblueclean.com](http://www.arblueclean.com). Hardware stores or home centers also have power washer detergents for different cleaning projects.
- This system applies detergent under high pressure. The cleaning power of the detergents is enhanced when applied with low pressure and enough time is given to break down dirt and grime. The combination of low pressure and chemical action is very effective and can be better than scrubbing if applied properly. **ALWAYS** spray detergent on a dry surface. **DO NOT** pre-soak area. Wetting the surface first dilutes the detergent and reduces its cleaning ability. **DO NOT** allow detergent to dry on surface. On vertical surfaces being cleaned, apply detergent to lower surfaces and work your way up to prevent detergent from causing streaks in the dirt and grime. Rinse detergent by pressure washing from bottom up for same reason.
- If a stain is particularly tough, it may be necessary to reapply the detergent and use a bristled brush to scrub the stain. Subsequent power washing after brushing should successfully complete your cleaning job.



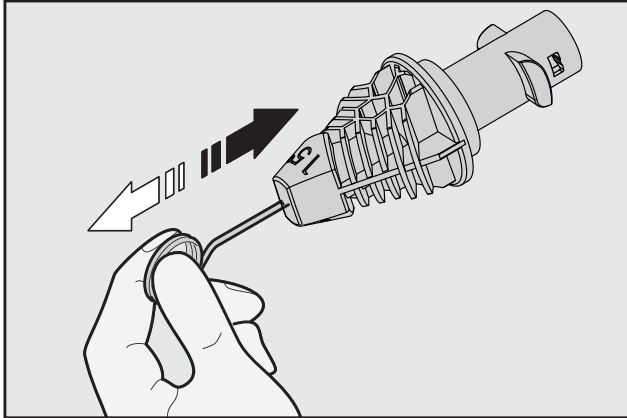
### Cleaning Garden Hose Adapter

- The screen inside the clear adapter should be cleaned periodically. Insert a pen or pencil in small hole at the end of the adapter. The screen filter will slide out. Rinse it with clean water, and then place it back in the adapter. It will “click” into place. The water is now connected to your power washer.

### Cleaning Nozzles

- Keep the nozzle cleaning wire that is taped to this manual, to unclog the nozzle on the lance. If you lose the cleaning wire an unbent paper clip will work.
- A clogged or partially clogged nozzle can cause significant reduction of water pressure coming out of the nozzle and/or cause the unit to pulsate while spraying.
- Turn off the unit.
- Turn off the water supply to the unit.
- Relieve any pressure trapped in the high pressure hose by squeezing the trigger 2-3 times, and then lock the spray gun by pushing the lock button from left to right.
- Remove the lance from the spray gun.

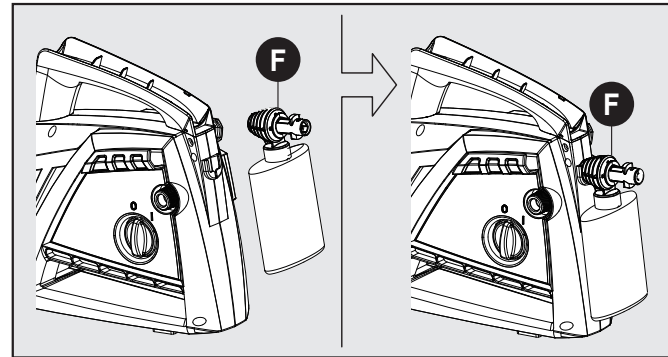
## CARE AND MAINTENANCE



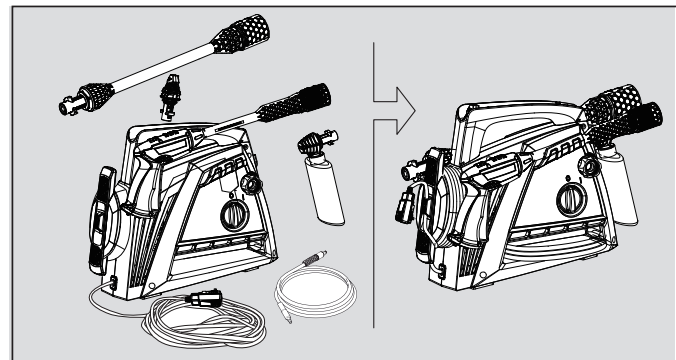
- Using the nozzle tip cleaner provided (or an unfolded paper clip), insert the wire into the nozzle hole and move back and forth until debris is dislodged.
- Tap quick connect end of lance on hard surface several times.
- Back flush water through the nozzles using garden hose and highest pressure available (either standard water nozzle or use your thumb over the nozzle to create water pressure for back flush).

### Storage

- When your power washer session has been completed, turn off the power switch located on the front of the power washer. Unplug the power cord from the outlet. Turn off the water supply. Pull the trigger on the spray gun 2-3 times to drain out the excess water and to release any remaining water pressure. Disconnect the garden hose adapter from the water inlet. **DO NOT** allow the power washer to run with no water flowing through it.
- Remove high pressure hose from spray gun and the power washer, by following previous instructions in the "Assembly" section.
- The pressure hose is stored on the onboard storage located on the bottom of the unit.
- Remove lance and/or foam sprayer from the gun. Place the gun and lance on the holster on the side.
- Make sure to discard any remaining detergent from the bottle. Residual chemical will stick to the container which could become contaminated, and can cause the detergent injector to clog and not function properly. Flush the bottle and nozzle head with fresh water to prevent clogging.



- Store the foam sprayer into the holder on the unit machine. Store the lance gun and nozzle on the machine.
- Winding the power cord on the power cord reel and insert the plug in the cable lock.



- Store power washer and accessories in an area that does not reach freezing temperatures. Do not store near furnace or any sources of heat, it may dry out the pump seals.
- **DO NOT store the power washer where it is exposed to freezing temperatures unless you use an antifreeze designed for pumps. Do not store near furnace or any sources of heat, it may dry out the pump seals.** Store the power washer indoors to prevent the water in the unit from expanding under freezing conditions. When the water freezes and expands, your power washer will be damaged and become inoperable. Or, if storing outdoors, it is recommended you use pump saver (not included) to protect pumps.

## TROUBLESHOOTING

If you have any questions regarding the product, please call customer service at 1-866-235-5112.

PROBLEM	CORRECTIVE ACTION
Unit will not turn on.	<ol style="list-style-type: none"> <li>1. The GFCI module on the end of the power cord must be plugged directly into an outlet.</li> <li>2. Do not use an extension cord.</li> <li>3. With the GFCI Connected make sure the power switch is turned on.</li> </ol> <p><b>Note:</b> When power switch is turned on, the power washer will turn on by itself for 1-2 seconds and shut off. This is normal.</p>
The high pressure (HP) hose will not connect/stay connected to the spray gun. Is this a spray gun problem?	<ol style="list-style-type: none"> <li>1. In most cases, the spray gun is not the problem. The problem is the rubber sleeve covering the fitting at the end of the high pressure hose. It has likely slipped up toward the metal tip. To fix: wiggle, twist and/or pull the rubber sleeve down until the entire tip is visible plus an 1/8 in. of the metal fitting below the tip. Now try to insert the hose tip into the spray gun. It should “click” into place and will not come out until the hose is released by pushing in the lever on the underside of the gun. You may cut away the end of the sleeve with a sharp knife if unable to move the sleeve down. Be careful not to cut or puncture the hose.</li> <li>2. Do not push in the release button when connecting the high pressure hose.</li> </ol>
The unit is running but there is no water flow.	<ol style="list-style-type: none"> <li>1. Power should NOT be turned on until water comes through the spray gun. Doing so will damage the motor.</li> <li>2. Check the water source.</li> <li>3. Eject the nozzle from the lance to determine if clog is coming from the nozzle (If nozzle is clogged, see nozzle cleaning instructions under “Cleaning nozzles”).</li> <li>4. Take off the lance and just spray out of the spray gun. This will indicate if the problem is with the lance.</li> <li>5. Check Garden Hose Adapter for loose connection and the filter for debris.</li> </ol>
Why is water leaking where the high pressure hose connects to the spray gun?	<ol style="list-style-type: none"> <li>1. Make sure there is an o-ring at the end of the metal tip of the high pressure hose. If no o-ring is present, the connection between the hose and spray gun will leak.</li> </ol>
I can't remove the lance from the spray gun. What should I do?	<ol style="list-style-type: none"> <li>1. All lances and the detergent bottles are attached and removed from the extension lance in the same manner. Insert the quick-release end of the lance/detergent bottle into the extension lance. Press the extension lance and lance together (about a 1/8”) and turn clockwise. The lance will lock in place. Remove the lance by reversing this procedure. Press the extension lance and lance together and turn counter clockwise. The lance will slide out.</li> <li>2. Or, hold the extension lance and lance in an upright position with the nozzle end on the floor. Push the whole assembly straight down to loosen the connection, and then follow the removal process again. You may also spray soapy water or a lubricant in the area where the lance connects to the extension lance.</li> </ol>

## TROUBLESHOOTING

PROBLEM	CORRECTIVE ACTION
The power washer turns on for 2 seconds, shuts off, and will not turn back on. Do I have a defective unit?	<ol style="list-style-type: none"><li>1. It sounds like your power washer is working just fine. When the water is connected, the accessories are assembled properly, and the power switch is turned on, the power washer may turn on for 1 - 2 seconds to prime the pump. It automatically shuts off and waits for the spray gun trigger to be pressed. When the trigger is pressed, water starts flowing through the pump. The water sensor in the pump “senses” the moving water and automatically turns the power washer on.</li><li>2. Turn the power switch to off, hold in the trigger on the spray gun, so that you have a steady stream of water. While you are holding the trigger open on the spray gun, at the same time, turn the power switch on.</li></ol>

## LIMITED WARRANTY

The Warranty of this product is covered by A.R.North America.

This product has a 2 (two) year warranty. Please read the following carefully to understand what each warranty entails:

This product is under warranty to the original retail consumer against defects in material and workmanship for a period of 1(one) year and is a complete “bumper to bumper” warranty including the spray gun, the high pressure hose and all accessories from the date of purchase. The warranty is not transferable or assignable. This warranty covers replacement parts. This limited one year warranty applies only to products used in consumer applications and is void in rental or any commercial application. Reasonable care must be used in conformity with operation and maintenance instructions in the owner’s manual and quick start guide. Failure to follow these instructions will void this warranty. This warranty gives you special legal rights and you may also have other rights which vary from state to state.

The second year of the warranty only covers manufacturer defects.

### Warranty Process

Keep your original receipt of purchase in case of warranty claim.

If your power washer develops a problem, contact Customer Service:

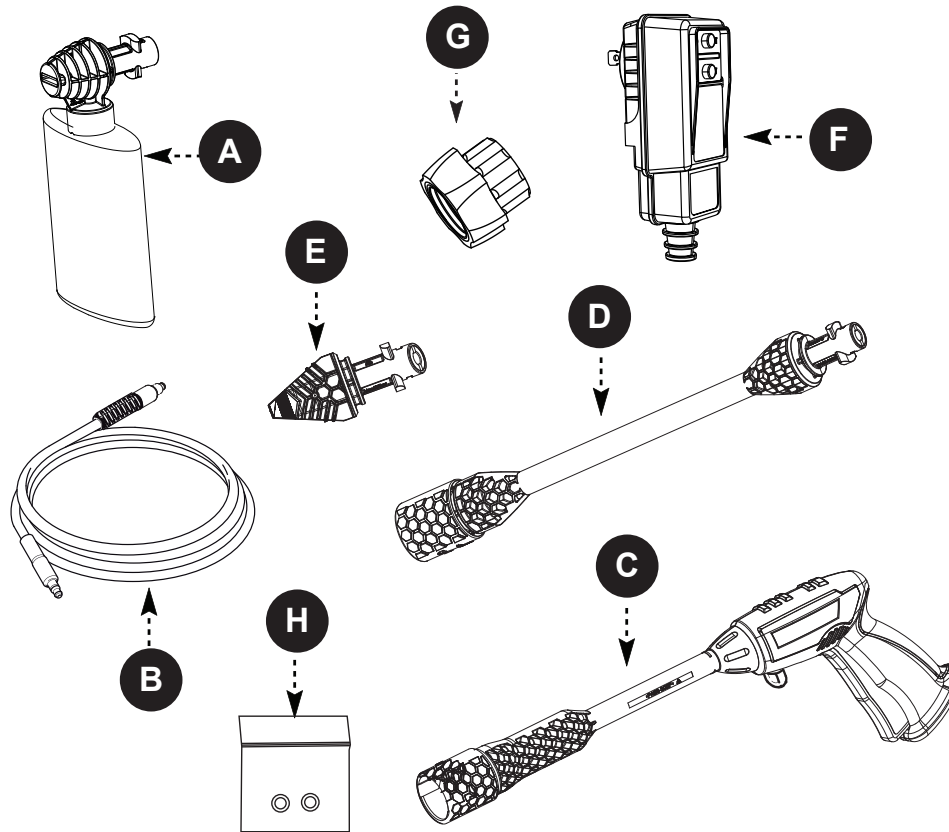
- Call our toll-free number at 1-866-235-5112. Customer Service is available Monday - Friday 8:00 a.m. to 5:00 p.m. Central Standard Time (CST). A Customer Service Representative will work with you to fix the problem.

If the power washer needs to be returned for repair, shipping costs to the company must be paid by the customer. A **Return Merchandise Authorization (RMA) Number will be issued for the return.** Upon receiving the power washer, the company will repair or replace the unit. We will send unit back to customer at no charge.

Please note: Power washers sent to the company **without an RMA Number will NOT be accepted** and will be shipped back at the expense of the sender.

## REPLACEMENT PARTS LIST

For replacement parts, call our customer service department at 1-866-235-5112, 8 a.m. - 5:00 p.m., CST, Monday - Friday or order online at [www.arblueclean.com](http://www.arblueclean.com)



PART	DESCRIPTION	PART #
A	Foam sprayer (12 oz.)	PW3620640
B	High pressure hose	PW4221500
C	Spray Gun	PW3620611
D	Extension Lance	PW3620621

PART	DESCRIPTION	PART #
E	Fixed Spray Nozzle	PW3620631
F	GFCI Plug	PW3620660
G	Garden Hose Adapter	PW3620650
H	O-Ring Kit	

Printed in China



